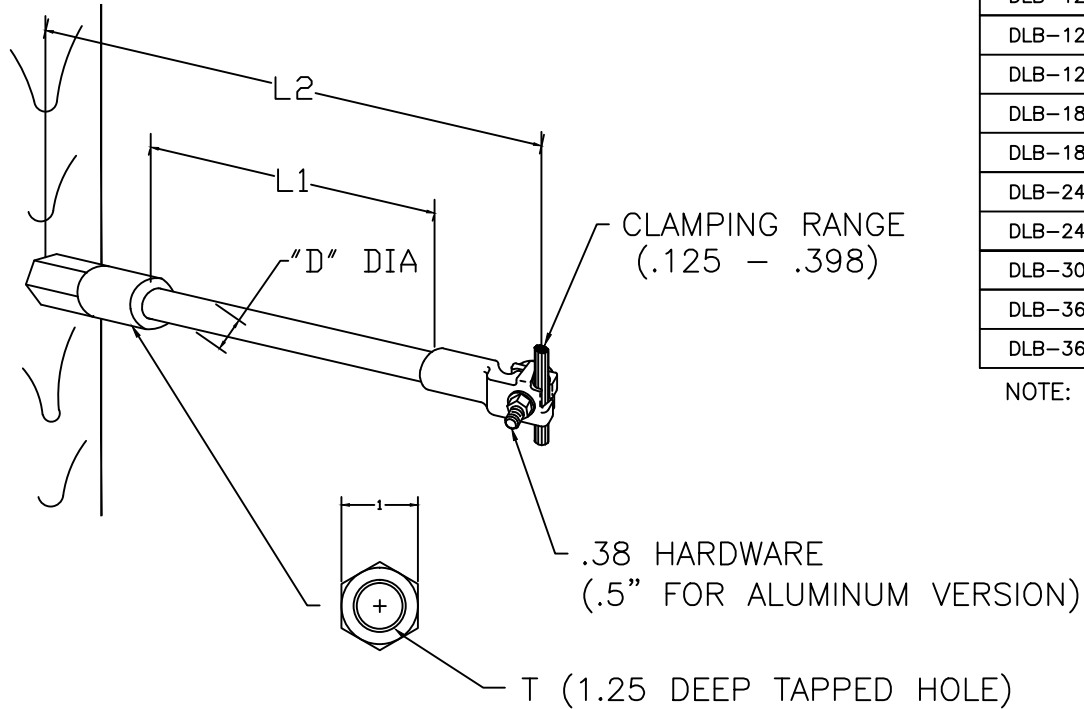


REVISIONS

NO.	DATE	DESCRIPTION	BY	CKD
1	03/25/15	ADDED DLB-12-6 SIZE.	WCL	WCL
2	09/14/15	ADDED DLB-30-5 SIZE.	WCL	WCL
3	10/31/16	ADDED DLB-18-5A SIZE.	MBG	
4	01/26/17	UPDATED DRAWING, CRIMPED END	MBG	




CATALOG NUMBER		LENGTHS (IN)				WIRE RANGE
POLYURETHANE COATED SERIES	SILICONE RUBBER COATED SERIES	L1	L2	D	T	DIAMETER
DLB-7.5-5	DLB-7.5-5-SC	7.5	14.0	.625	5/8"-11	.125-.398
DLB-12-5	DLB-12-5-SC	12	18.5	.625	5/8"-11	.125-.398
DLB-12-5A	DLB-12-5A-SC	12	18.5	.625	5/8"-11	.125-.398
DLB-12-6	-	12	18.5	.750	3/4"-10	.125-.398
DLB-18-5	DLB-18-5-SC	18	24.5	.625	5/8"-11	.125-.398
DLB-18-5A	DLB-18-5A-SC	18	24.5	.625	5/8"-11	.125-.398
DLB-24-5	-	24	30.5	.750	5/8"-11	.125-.398
DLB-24-6	-	24	30.5	.750	3/4"-10	.125-.398
DLB-30-5	-	30	36.5	.750	5/8"-11	.125-.398
DLB-36-5	-	36	42.5	.750	5/8"-11	.125-.398
DLB-36-6	-	36	42.5	.750	3/4"-10	.125-.398

NOTE: "A" SUFFIX INDICATES ALUMINUM END FITTING.
 "FGP-EP" SUFFIX INDICATES LOCK WASHER ON END FITTING AND PACKED 10 PER BOX. EX. DLB-36-6-FGP-EP.

NOTES:

- 1.0 MATERIAL
 - 1.1 BASE - DUCTILE IRON 654512
 - 1.2 ROD - FIBERGLASS
 - 1.3 END FITTING - DUCTILE IRON 654512/ ALUMINUM A356-T6 FOR "A" OPTION
 - 1.4 HARDWARE - STEEL
- 2.0 FINISH
 - 2.1 BASE - HOT DIP GALVANIZED PER ASTM-A-153
 - 2.2 ROD - ULTRAVIOLET PROTECTIVE COATING, MUNSEL GRAY (OPTIONAL) - VULCANIZED SILICONE RUBBER, GRAY
 - 2.3 END FITTING - HOT DIP GALVANIZED PER ASTM-A-153/ NONE FOR "A" OPTION
 - 2.4 HARDWARE - HOT DIP GALVANIZED PER ASTM-A-153
- 3.0 DIMENSIONS IN INCHES

This information is confidential and is the property of Maclean Power Systems. It may not be made public or reproduced except that the Customer may make copies for use solely in installation, maintenance, and operation of products supplied by Maclean Power Systems.

 MACLEAN POWER SYSTEMS A Maclean-fogg Company	
DLB-"L1" SERIES DOWN LEAD BRACKET	
DATE: 6-26-12	SCALE: 1:1
DRAWN BY: MYL	NO. CEB-4073
CHKD BY:	R / 4
APP. BY:	SH /
	DF /

ENG. REF.