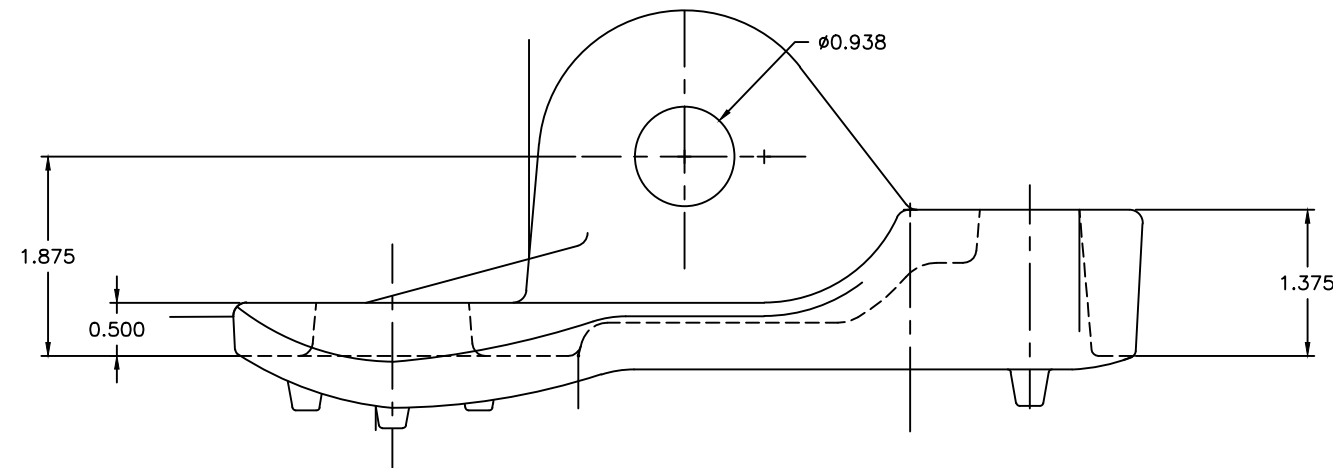
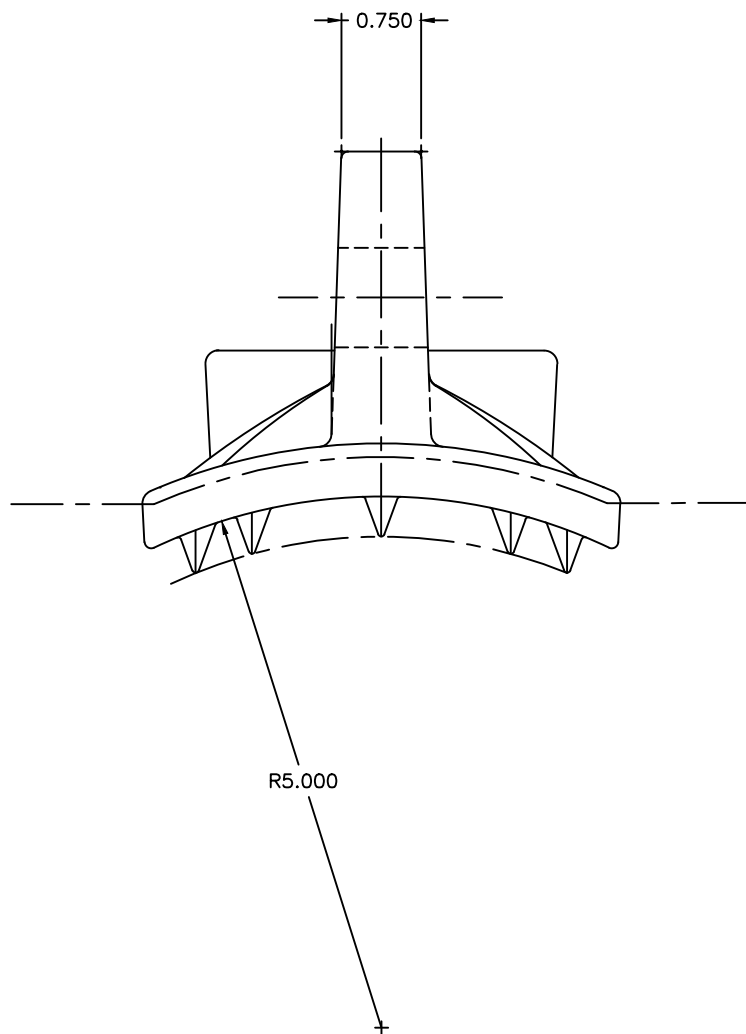
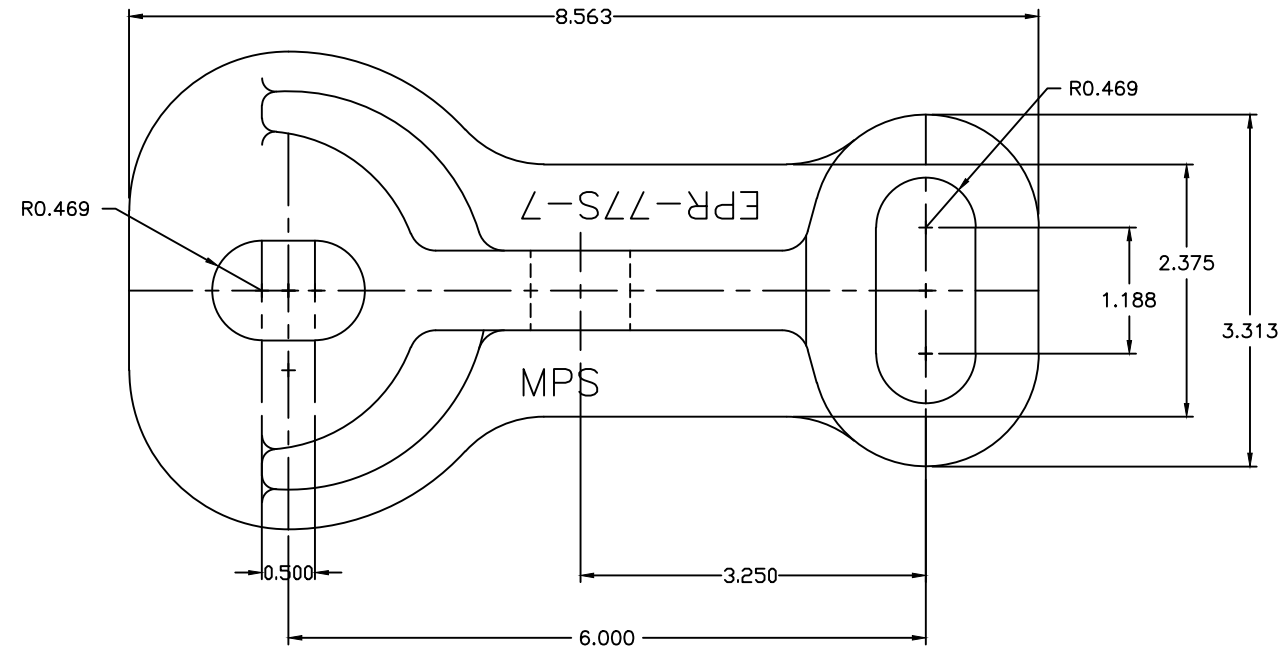


REVISIONS

NO.	DATE	DESCRIPTION	BY	CKD

NOTES:

- 1.0 MATERIAL—DUCTILE IRON PER ASTM A-536, GRADE 654512 BHN 156-217. MATERIAL CERTIFICATION REQUIRED.
- 2.0 COATING—HOT DIP GALVANIZE PER ASTM A-153.
- 3.0 PART NO.—>EPR-77S-7 (F411680)
W/O TEETH —>EPR-77S-7LT (F411690)
- 4.0 EST. WEIGHT — 5.65 LBS.
- 5.0. DIMENSION IN INCHES.



STRENGTH RATING:

- 45° — 42,000 LBS.
- 90° — 36,000 LBS

MacLean Power Systems
BIRMINGHAM, ALABAMA

DRAWN BY: LMV APPROVED BY: _____ SCALE: NONE
CHECKED BY: _____

POLE EYE PLATE
EPR-77S-7&EPR-77S-7LT

DATE: 03-12-13 DRAWING NO: CEB-4127 R/0

This information is confidential and is the property of Maclean Power Systems. It may not be made public or reproduced except that the Customer may make copies for use solely in installation, maintenance, and operation of products supplied by Maclean Power Systems.

ENG. REF.