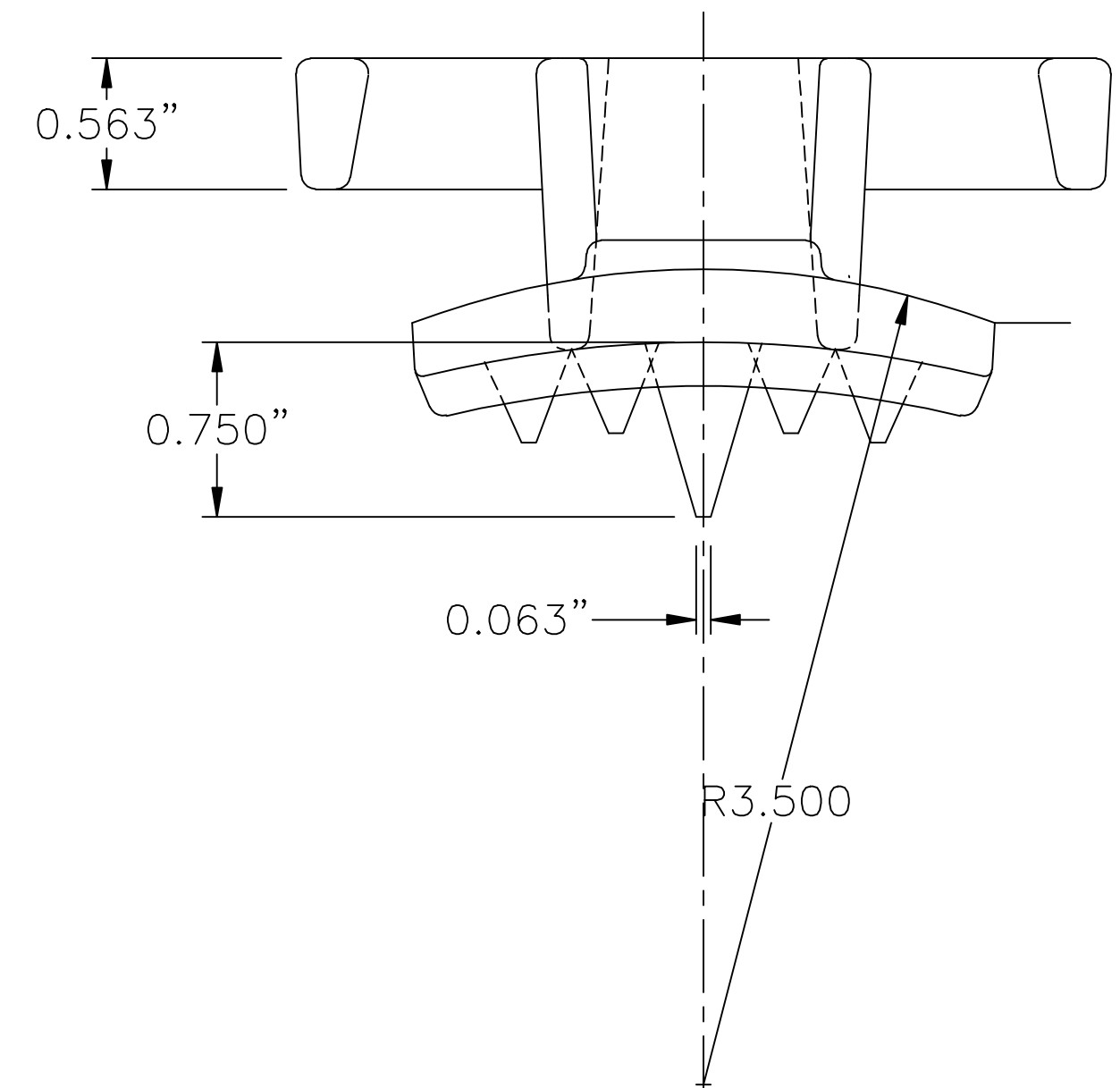
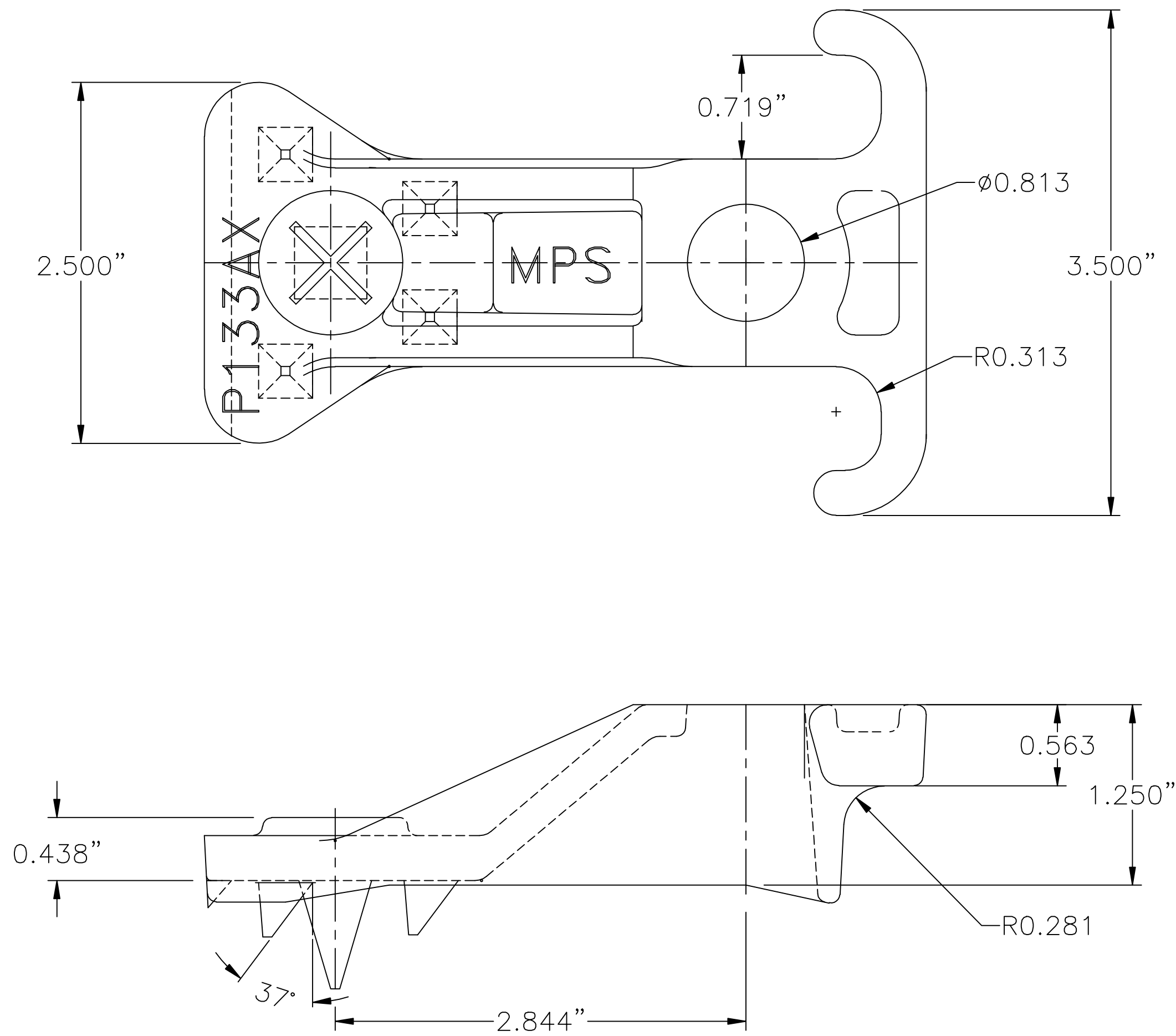


REVISIONS

NO.	DATE	DESCRIPTION	BY	CKD
1	03/16/14	Joslyn's customer dwg# 2-6257.	WCL	


NOTES:

- 1.0 MATERIAL—DUCTILE IRON PER ASTM A-536,
- 2.0 COATING—HOT DIP GALVANIZE PER ASTM A-153.
- 3.0 PART NO. — P133AX, (F392697)
- 4.0 EST. WEIGHT — 1.20 LBS.
- 5.0 DIMENSION IN INCHES.



ENG. REF.

This information is confidential and is the property of Maclean Power Systems. It may not be made public or reproduced except that the Customer may make copies for use solely in installation, maintenance, and operation of products supplied by Maclean Power Systems.

 <b>MacLean Power Systems</b> BIRMINGHAM , ALABAMA		
DRAWN BY: WCL	APPROVED BY: WCL CHECKED BY:	SCALE: 1"=1"
GUY HOOK, P133AX Rated Strength: 20,050 Lbs.		
DATE: 03/16/14	DRAWING NO: CEB-4150	R/1