

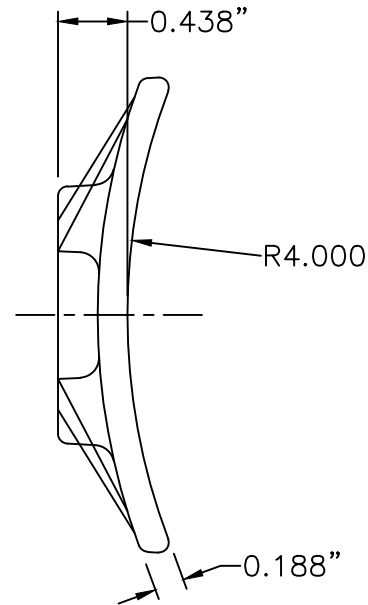
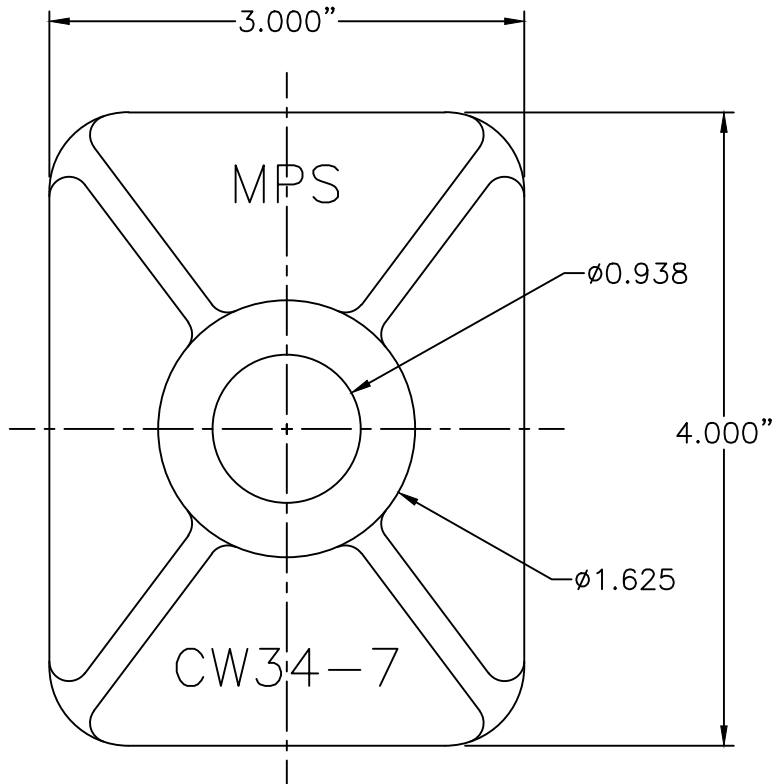
REVISIONS

NO.	DATE	DESCRIPTION	BY	CKD
1	6/28/21	ADDED BOM TABLE	EDB	CKD

ITEM NO.	PART NO.	CAT NO.	DESCRIPTION	DWG. NO.
1	P64505C	CW-37-7-BC	CW-37-7 BDY	PB362C


NOTES:

- 1.0 MATERIAL—DUCTILE IRON PER ASTM A-536,
- 2.0 COATING—HOT DIP GALVANIZE PER ASTM A-153.
- 3.0 PART NO. —CW34-7, (F411240)
- 4.0 EST. WEIGHT — 0.715 LBS.
- 5.0 DIMENSION IN INCHES.



ENG. REF.

This information is confidential and is the property of Maclean Power Systems. It may not be made public or reproduced except that the Customer may make copies for use solely in installation, maintenance, and operation of products supplied by Maclean Power Systems.

 Maclean Power Systems BIRMINGHAM , ALABAMA		
DRAWN BY: WCL	APPROVED BY: WCL	SCALE: 1"=1"
CHECKED BY:		
CURVE WASHER CAT. NO.: CW-34-7		
DATE: 03/25/14	DRAWING NO: CEB-4153	R/1