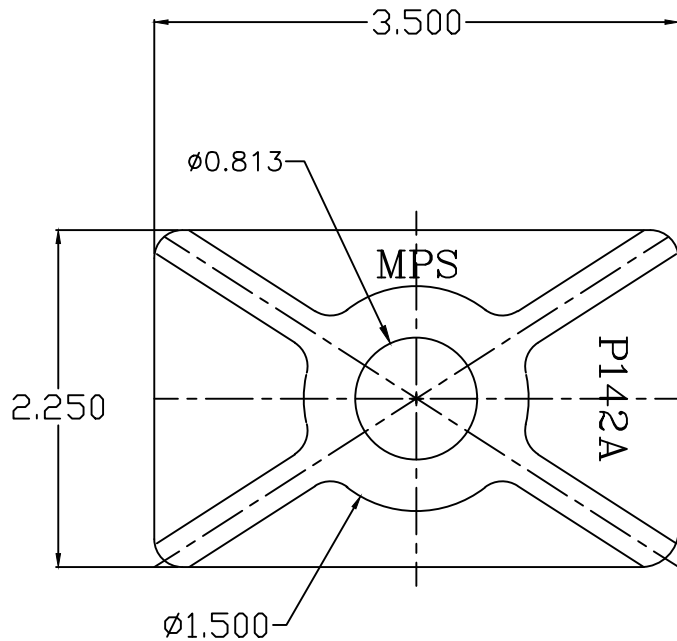


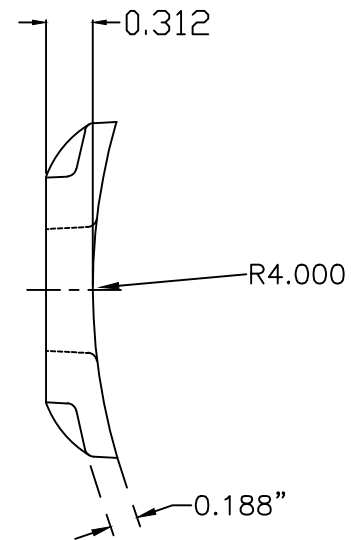
REVISIONS				
NO.	DATE	DESCRIPTION	BY	CKD
1	03/21/14	Joslyn's customer dwg# 1-9251...	WCL	
2	06/28/21	ADDED BOM TABLE	EDB	

ITEM NO.	PART NO.	CAT. NO.	DESCRIPTION	DWG. NO.
1	P63790C	P142A-BC	CURVED WASHER BLK	PB2086C




NOTES:

- 1.0 MATERIAL—DUCTILE IRON PER ASTM A-536,
- 2.0 COATING—HOT DIP GALVANIZE PER ASTM A-153.
- 3.0 PART NO. — P142A, (F392875)
- 4.0 EST. WEIGHT — 0.562 LBS.
- 5.0 DIMENSION IN INCHES.



ENG. REF.

This information is confidential and is the property of Maclean Power Systems. It may not be made public or reproduced except that the Customer may make copies for use solely in installation, maintenance, and operation of products supplied by Maclean Power Systems.

 Maclean Power Systems BIRMINGHAM , ALABAMA		
DRAWN BY: WCL	APPROVED BY: WCL CHECKED BY:	SCALE: 1"=1"
RECTANGULAR CURVE WASHER CAT. NO.: P142A		
DATE: 03/21/14	DRAWING NO: CEB-4154	R/2