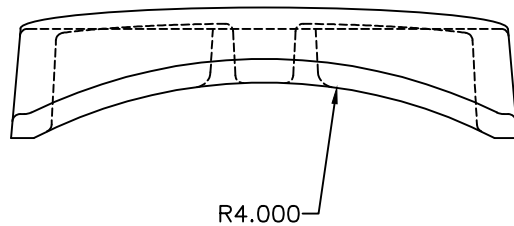
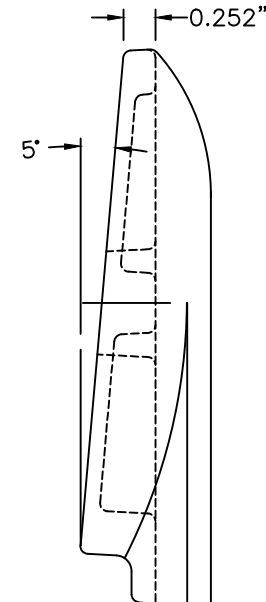
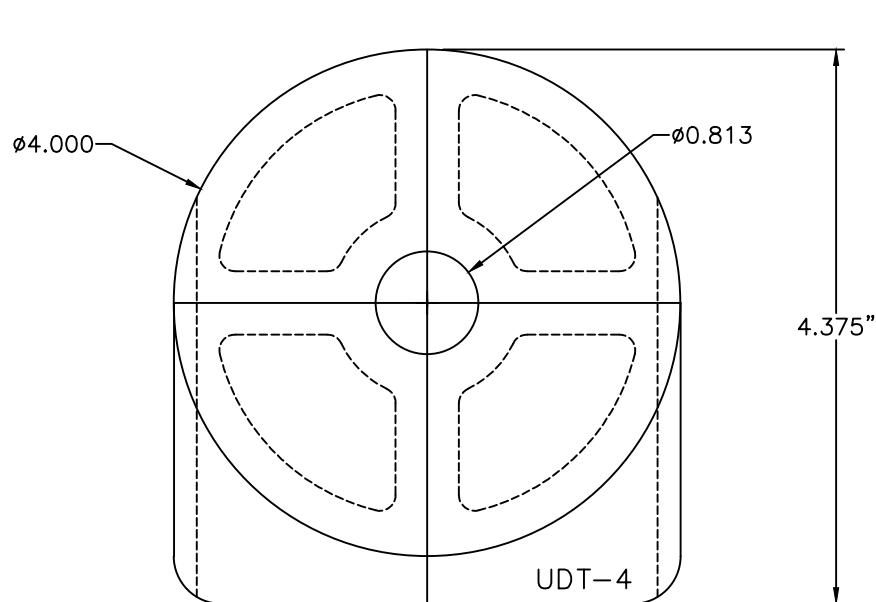


REVISIONS				
NO.	DATE	DESCRIPTION	BY	CKD
1	6/28/21	ADDED BOM TABLE	EDB	

ITEM NO.	PART NO.	CAT. NO.	DESCRIPTION	DWG. NO.
1	P66714C	UDT-4C	POST INSULATOR WASHER	PA2069




**NOTES:**

- 1.0 MATERIAL-DUCTILE IRON PER ASTM A-536,
- 2.0 COATING-HOT DIP GALVANIZE PER ASTM A-153.
- 3.0 PART NO. - udt-4, (F460671)
- 4.0 EST. WEIGHT - 1.25 LBS.
- 5.0 DIMENSION IN INCHES.

ENG. REF.

This information is confidential and is the property of Maclean Power Systems. It may not be made public or reproduced except that the Customer may make copies for use solely in installation, maintenance, and operation of products supplied by Maclean Power Systems.

 <b>Maclean Power Systems</b> <b>BIRMINGHAM, ALABAMA</b>		
DRAWN BY: WCL	APPROVED BY: WCL CHECKED BY:	SCALE: 1"=1"
<b>5° POST INSULATOR WASHER</b> <b>CAT. NO.; UDT-4</b>		
DATE: 03/26/14	DRAWING NO: CEB-4158	R/1