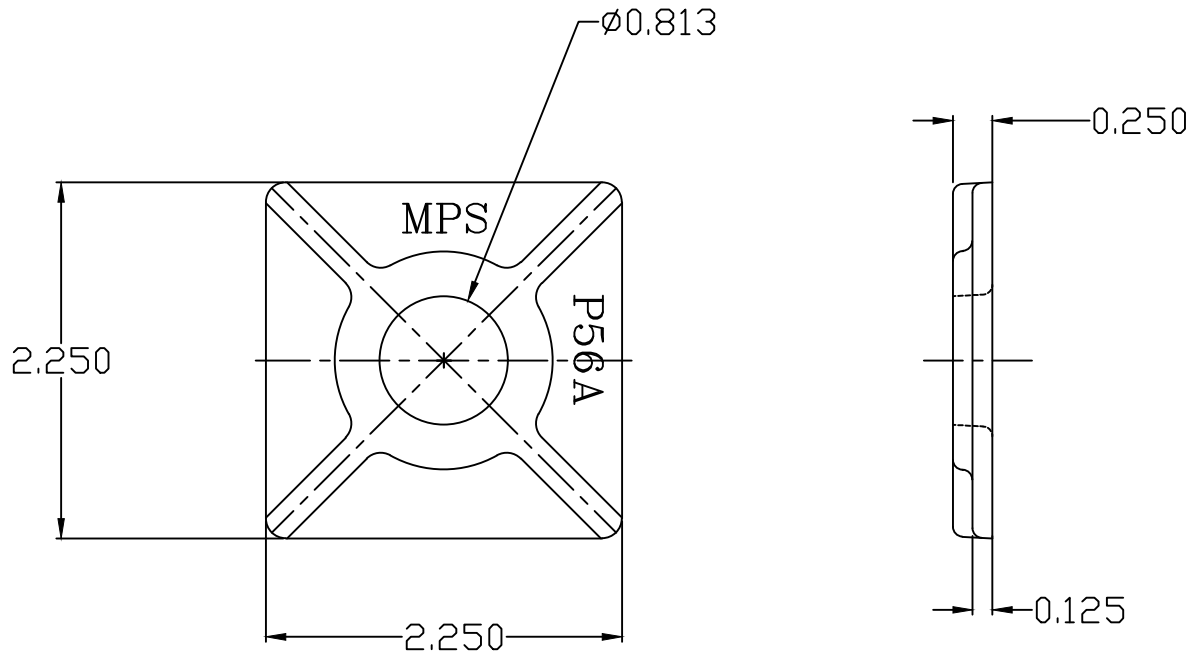


REVISIONS

NO.	DATE	DESCRIPTION	BY	CKD
1	6/28/21	ADDED BOM TABLE	EDB	

ITEM NO.	PART NO.	CAT. NO.	DESCRIPTION	DWG. NO
1	P63799C	P56A-C	FLAT WASHER	PB2088C



NOTES:

- 1.0 MATERIAL-DUCTILE IRON PER ASTM A-536,
- 2.0 COATING-HOT DIP GALVANIZE PER ASTM A-153.
- 3.0 PART NO. - P56A, (F392882)
- 4.0 EST. WEIGHT - 0.202 LBS.
- 5.0 DIMENSION IN INCHES.



MacLean Power Systems  
BIRMINGHAM , ALABAMA

DRAWN BY: WCL	APPROVED BY: WCL	SCALE: 1"=1"
	CHECKED BY:	

2.25" SQUARE FLAT WASHER  
CAT. NO.: P56A

ENG. REF.

This information is confidential and is the property of Maclean Power Systems. It may not be made public or reproduced except that the Customer may make copies for use solely in installation, maintenance, and operation of products supplied by Maclean Power Systems.

DATE: 03/28/14	DRAWING NO: CEB-4159	R/1
----------------	----------------------	-----