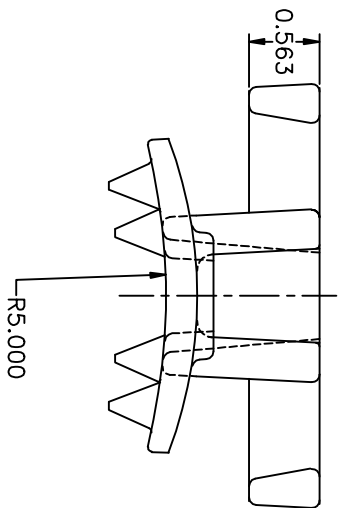
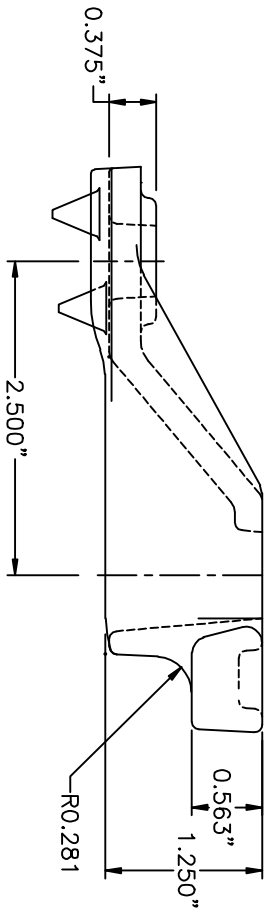
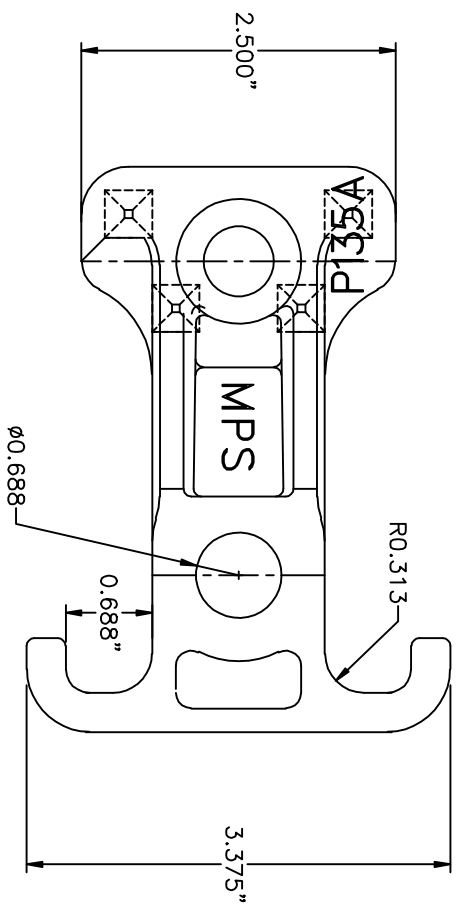



REVISIONS		BY	CHKD
NO.	DATE	DESCRIPTION	
1	03/16/14	WCL	WCL
Joshua's customer dwg# 2-6257.			



- NOTES:**
- 1.0 MATERIAL-DUCTILE IRON PER ASTM A-536,
 - 2.0 COATING-HOT DIP GALVANIZE PER ASTM A-153,
 - 3.0 PART NO. - P135A, (F392692)
 - 4.0 EST. WEIGHT - .90 LBS.
 - 5.0 DIMENSION IN INCHES.

ENG. REF.

This information is confidential and is the property of Maclean Power Systems. It is to be used solely for the installation, maintenance, and operation of products supplied by Maclean Power Systems. Customer may make copies for use solely in installations, maintenance, and operation of products supplied by Maclean Power Systems.

 Maclean Power Systems BIRMINGHAM, ALABAMA		
DRAWN BY: WCL	APPROVED BY: WCL	SCALE: 1"=1"
GUY HOOK, P135A		
Rated Strength: 13,550 Lbs.		
DATE: 03/28/14	DRAWING NO: CEB-4160	R / %