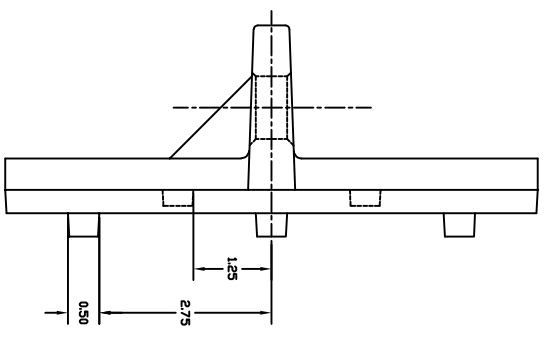
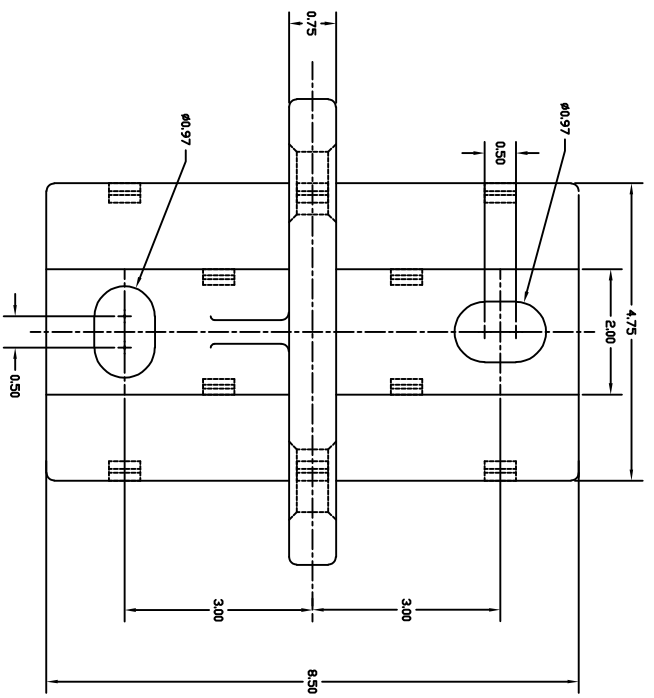
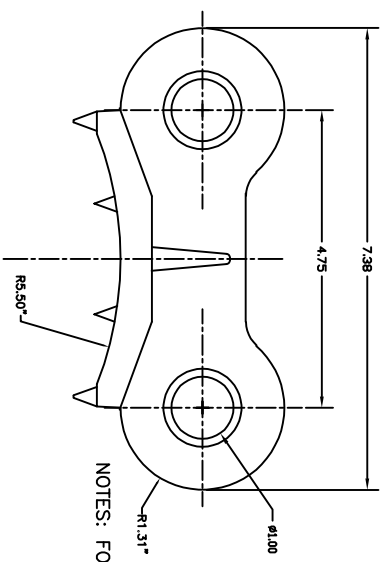


REVISIONS

NO.	DATE	DESCRIPTION	BY	CHKD



- NOTES:
- 1.0 MATERIAL: DUCTILE IRON GRADE 654512.
 - 2.0 FINISH: HOT DIP GALV. PER ASTM A153.
 - 3.0 RATED STRENGTH: 40,000 LBS AT 45°.
 - 4.0 WEIGHT: 7.60 LBS.



NOTES: FOR LESS TEETH, USE PX44LT.

This information is confidential and is the property of Maclean Power Systems. It may not be made public or reproduced except that the Customer may make copies for use solely in installation, maintenance, and operation of products supplied by Maclean Power Systems.



CAT. NO. PX44 & PX44LT
 ANGLED DOUBLE DEADEND BRACKET

DATE	SCALE	NO.	REV.
7-23-15	1:1	CEB-4206	0

ENG. REF.