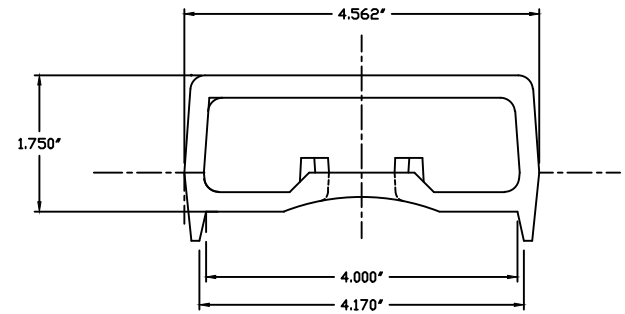
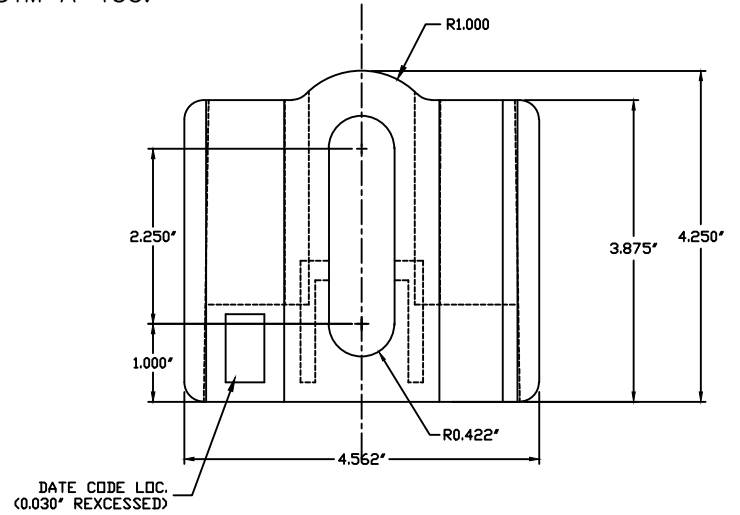
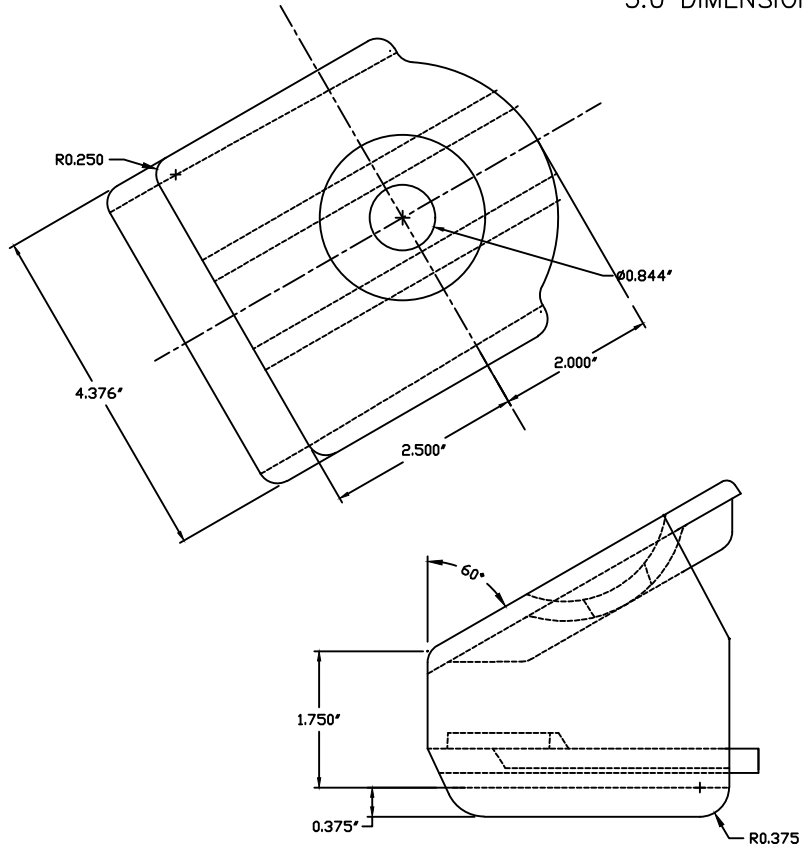


REVISIONS				
NO.	DATE	DESCRIPTION	BY	CKD
1	04/14/21	Customer dwg. was 3-6123	WCL	

NOTES:

- 1.0 MATERIAL—DUCTILE IRON PER ASTM A-536,
- 2.0 COATING—HOT DIP GALVANIZE PER ASTM A-153.
- 3.0 PART NO. — P533, (F392832)
- 4.0 EST. WEIGHT — 4.32 LBS.
- 5.0 DIMENSION IN INCHES.



FOR DETAIL SEE DWG # 3-6123

**MACLEAN POWER SYSTEMS**  
A Maclean-fogg Company

ANGLE TRANSITION BRACKET  
CAT. NO. P533

This information is confidential and is the property of Maclean Power Systems. It may not be made public or reproduced except that the Customer may make copies for use solely in installation, maintenance, and operation of products supplied by Maclean Power Systems.

DATE: 04/14/21	SCALE: NTS	NO.:	CEB-4614	R / 1	SH. 1
DRAWN BY: WCL	CHK. BY:	APPR. BY:			

ENG. REF.