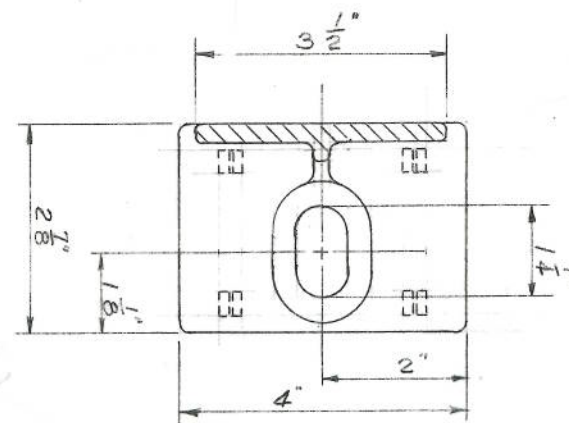
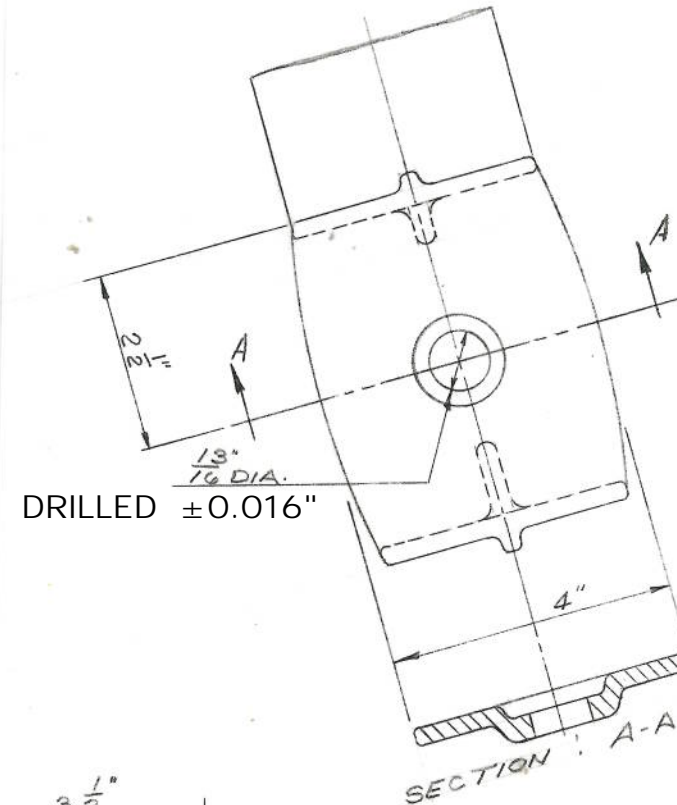
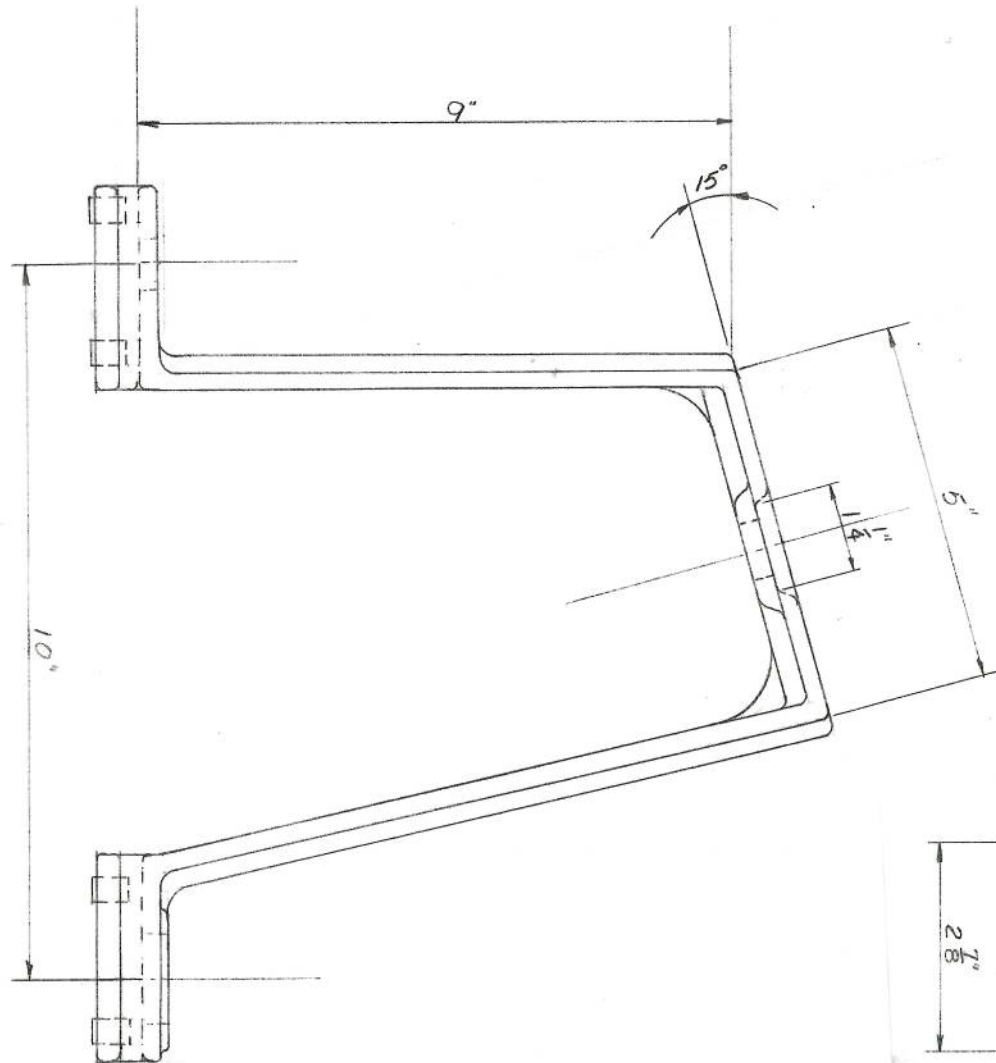
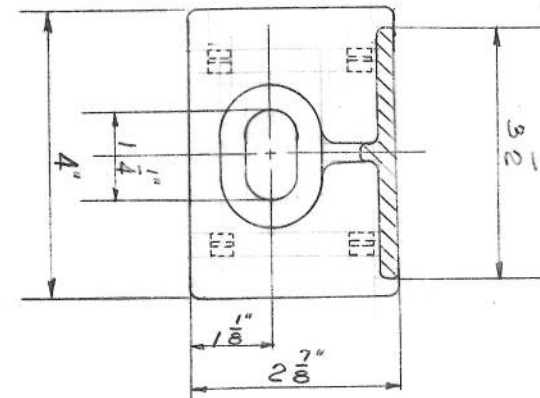
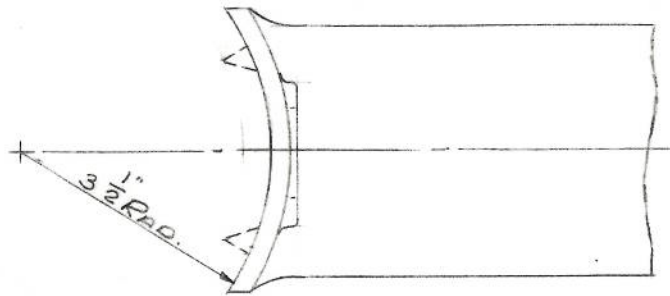


REVISIONS

NO.	DATE	DESCRIPTION	BY	CKD

NOTES:

1. MATERIAL: DUCTILE IRON GRADE 654512
2. FINISH: HOT DIP GALV. PER ASTM A153
3. CAT. NO.: HIB-109-5
4. RATED STRENGTH: 2,800 LBS FOR 35KV POST INS.
5. WEIGHT: 10.5 LBS.



MACLEAN POWER SYSTEMS
A Maclean-fogg Company

HORIZONTAL INSULATOR BRACKET
CAT. NO. HIB-109-5

DATE: 07-23-71	SCALE: 1:1	NO. CEC-1352	R / 0	SH. 1 OF 1
DWN. BY: LB	CKD. BY: APP	APR. BY:		

ENG. REF.