

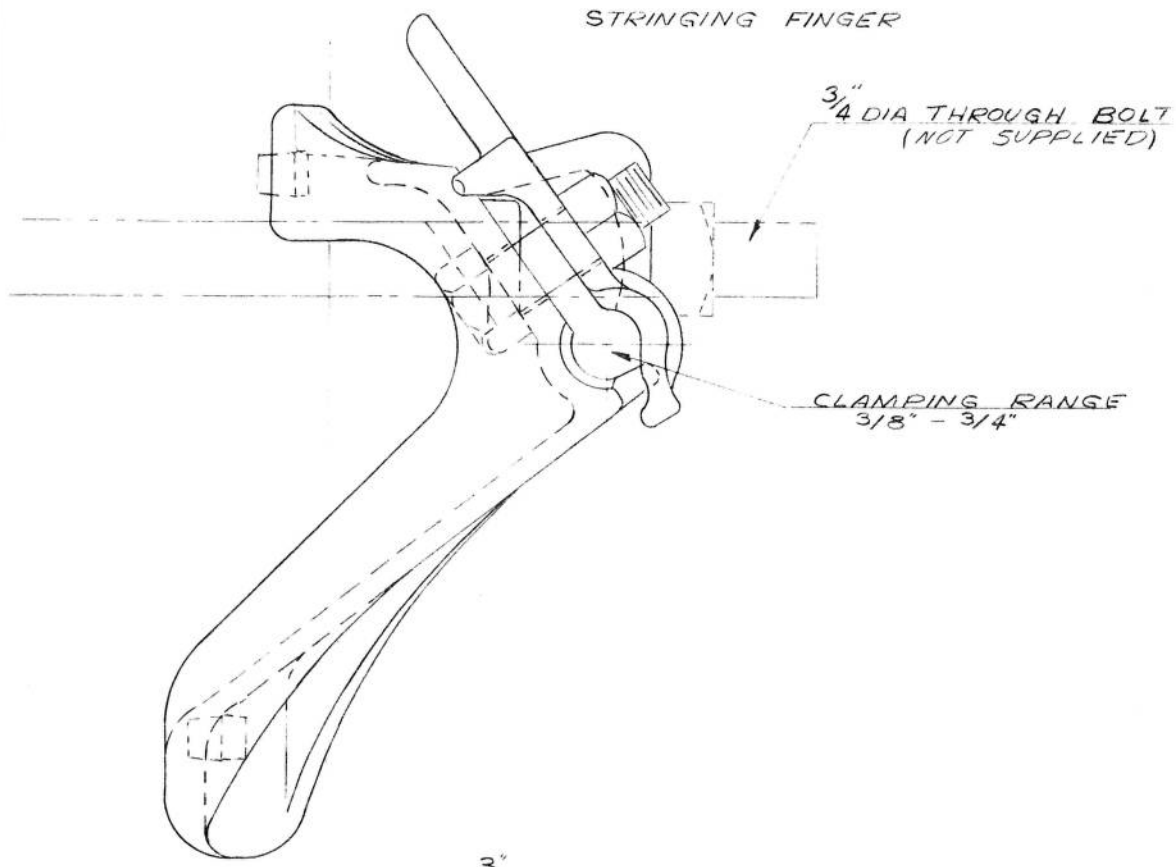
OPTIONAL NUT RETAINER  
IN BODY

NOTES

MATL- BODY & CAP- DUCTILE IRON GRADE- G04512  
HARDWARE - STEEL  
FINISH- HOT DIP GALVANIZED

CATALOG NO \_\_\_\_\_ MBXH-82  
MOUNTING BOLT \_\_\_\_\_ 3/4"  
MESSENGER RANGE \_\_\_\_\_ 3/8" - 3/4"  
POLE CLEARANCE \_\_\_\_\_ 3"  
GROUND WIRE RANGE \_\_\_\_\_ THROUGH #6 A.W.G  
CLAMPING LENGTH \_\_\_\_\_ 5"

TOP



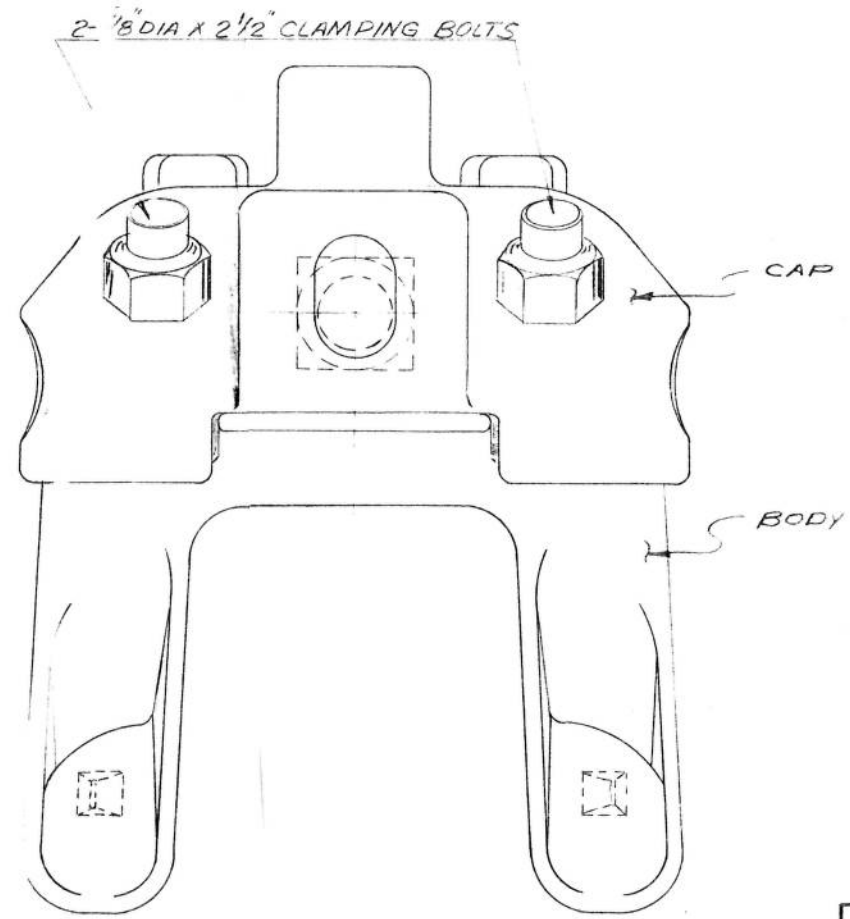
STRINGING FINGER

3/4" DIA THROUGH BOLT  
(NOT SUPPLIED)

CLAMPING RANGE  
3/8" - 3/4"

3"

RIGHT SIDE



2- 1/8" DIA X 2 1/2" CLAMPING BOLTS

CAP

BODY

FRONT

DO NOT SCALE

CONTINENTAL ELECTRIC Co	
BIRMINGHAM	ALABAMA
DWN: <u>LB</u> CHK'D:	APP:
AERIAL CABLE CLAMP	
DATE: 8-19-71 DWG NO: CEC-1363	