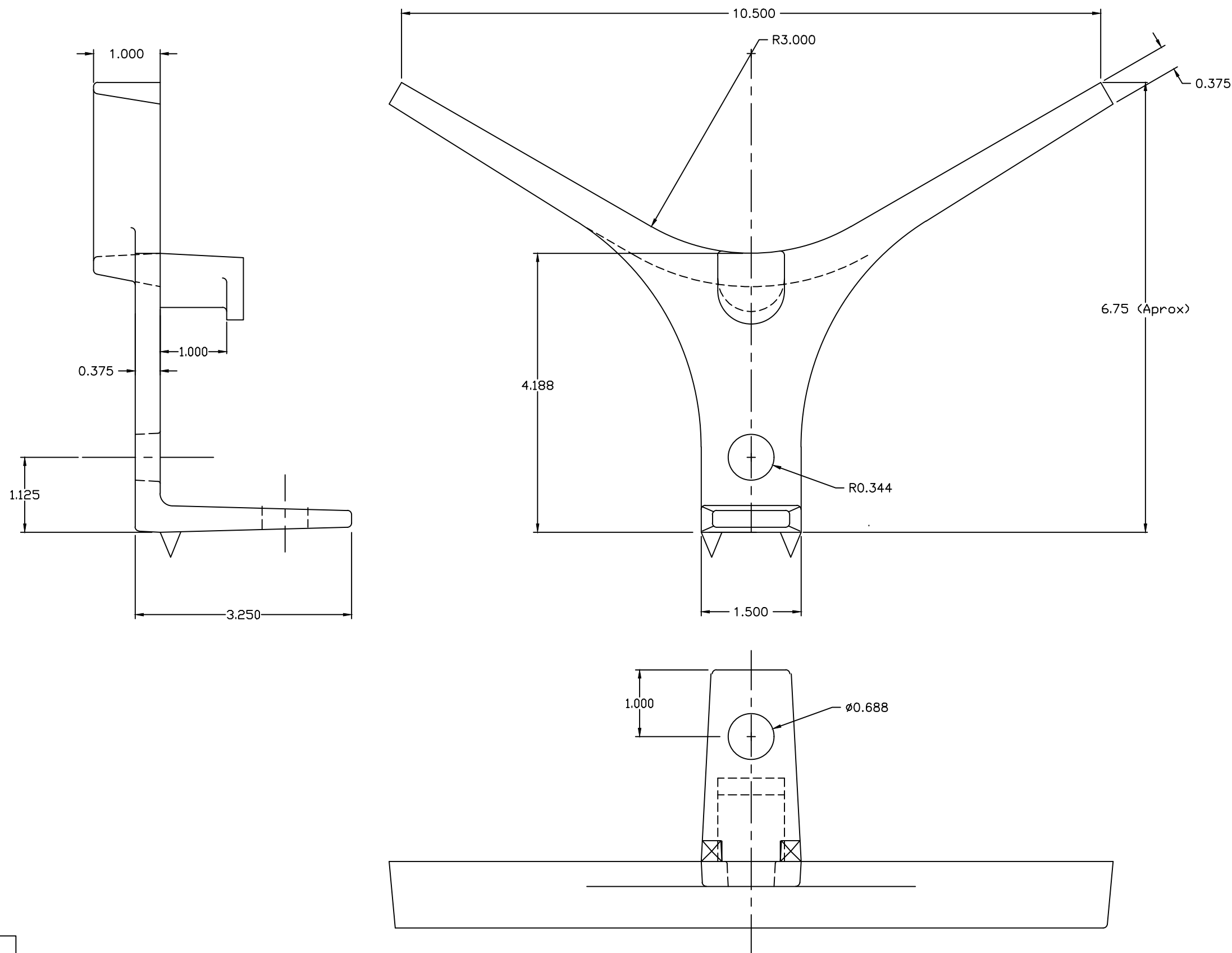


REVISIONS

| NO. | DATE | DESCRIPTION | BY | CKD |
|-----|----------|---------------------|-----|-----|
| 1 | 07-01-20 | REDRAWN IN AUTOCAD. | KMK | |
| 2 | 06-28-21 | ADDED BOM TABLE | EDB | |

| ITEM NO. | PART NO. | CAT. NO. | DESCRIPTION | DWG. NO. |
|----------|----------|----------|------------------|----------|
| 1 | P64482C | CRB-396C | CRB-396 BODY BLK | PB498C |



NOTES:

- 1.0 MATERIAL-DUCTILE IRON PER ASTM A-536,
- 2.0 COATING-HOT DIP GALVANIZE PER ASTM A-153.
- 3.0 PART NO.-CRB-396 (F410890)
- 4.0 EST. WEIGHT - 2.75 LBS.
- 5.0 DIMENSION IN INCHES.

ENG. REF.

| | | | |
|--|----------|-------------|-----------------------------|
| DATE: 9-23-71 | | SCALE: NONE | NO. |
| DWN. BY: LB | CKD. BY: | APR. BY: | |
| BETHEA POWER PRODUCTS PELHAM, ALABAMA | | | A MacLean Power Systems Co. |
| CONDUIT OUTRIGGER CRB-396 | | | |
| CEC-1364 | | | R/2 SH. 1 OF 1 |