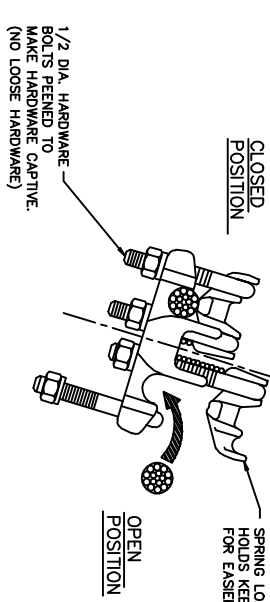
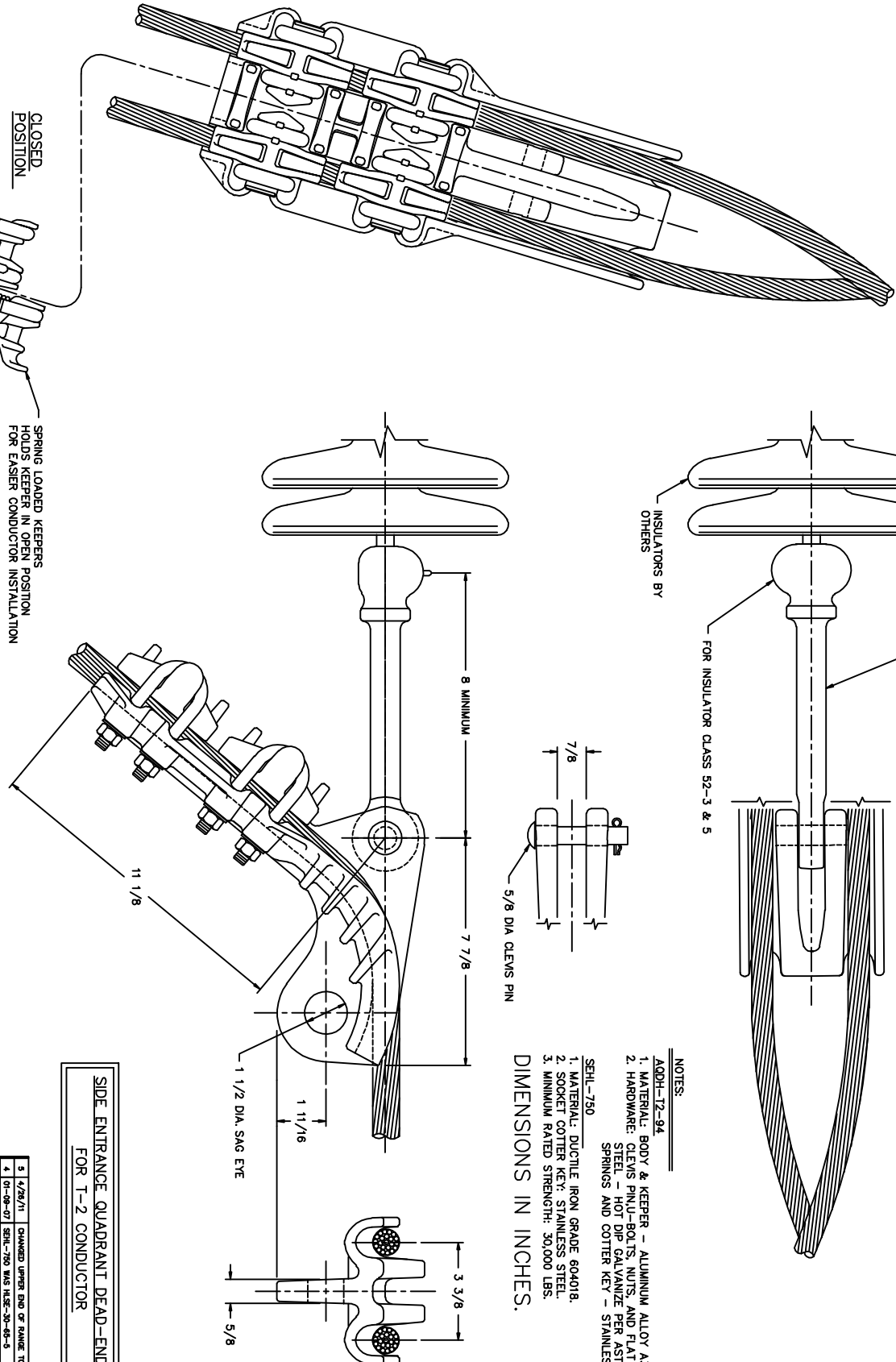


- NOTES:
- ADDH-12-94
1. MATERIAL: BODY & KEEPER - ALUMINUM ALLOY A356-T6.
 2. HARDWARE: CLEVIS PIN-BOLTS, NUTS, AND FLAT WASHERS STEEL - HOT DIP GALVANIZE PER ASTM-A-153. SPRINGS AND COTTER KEY - STAINLESS STEEL.
- SEHL-750
1. MATERIAL: DUCTILE IRON GRADE 604018.
 2. SOCKET COTTER KEY: STAINLESS STEEL.
 3. MINIMUM RATED STRENGTH: 30,000 LBS.
- DIMENSIONS IN INCHES.



MINIMUM ULTIMATE STRENGTH RATINGS	
BODY -	30,000 LBS.
PULLING EYE -	18,000 LBS.
CONDUCTOR RANGE	
T2 PIGEON (3/0 - 6/1 ACSR)	.502" DIA.
T2 GROSEBEAK (636 26/7 ACSR)	.990" DIA.

NO.	DATE	DESCRIPTION	BY
1	12-27-90	REMAIN PER FINAL DESIGN FOR PRODUCTION	JSG
2	04-15-91	SAG EYE HOLE WAS 1 1/4" DIA.	JSG
3	06-28-91	ADD ORDERING NOTE	WEP
4	07-09-97	CHANGED UPPER END OF RANGE TO .99"	JAM

CONTINENTAL ELECTRIC CO.
BIRMINGHAM, ALABAMA

DRAWN BY: A. HARRIS
APPROVED BY: [Signature]
CHECKED BY: [Signature]
SCALE: NONE

CATALOG NO: ADDH-12-94
COND. RANGE: .50" - .99"

DATE: 12-6-90
DRAWING NO: CEC-2775
R/5