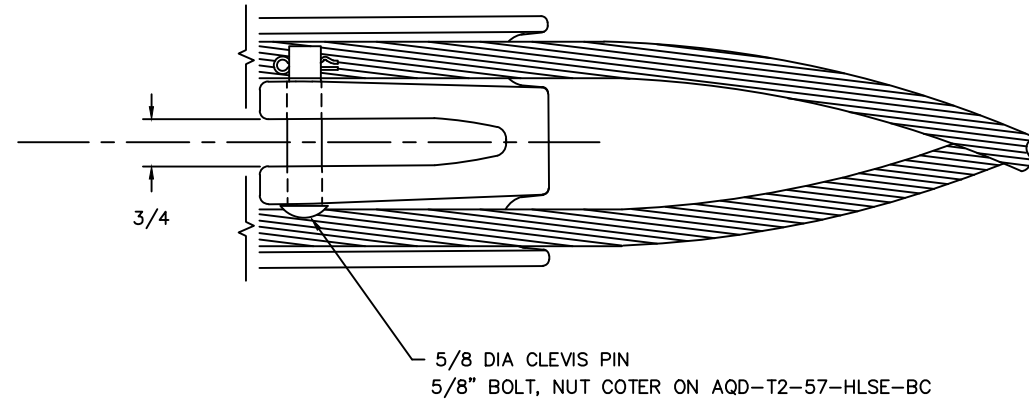
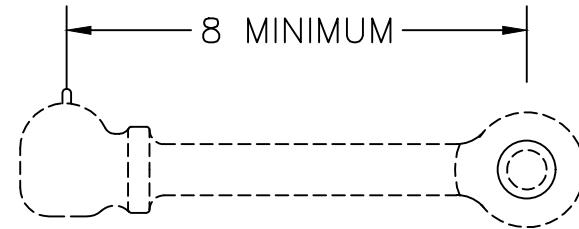


REVISIONS

NO.	DATE	DESCRIPTION	BY	CKD
1	8-3-92	REVISED PER FINAL PRODUCTION DESIGN	JSG	
2	10-27-94	REVISED CENTER TO CENTER DIMENSION	DHL	
3	9-13-23	ADDED OPTION FOR -HLSE & -HLSE-BC	KMK	

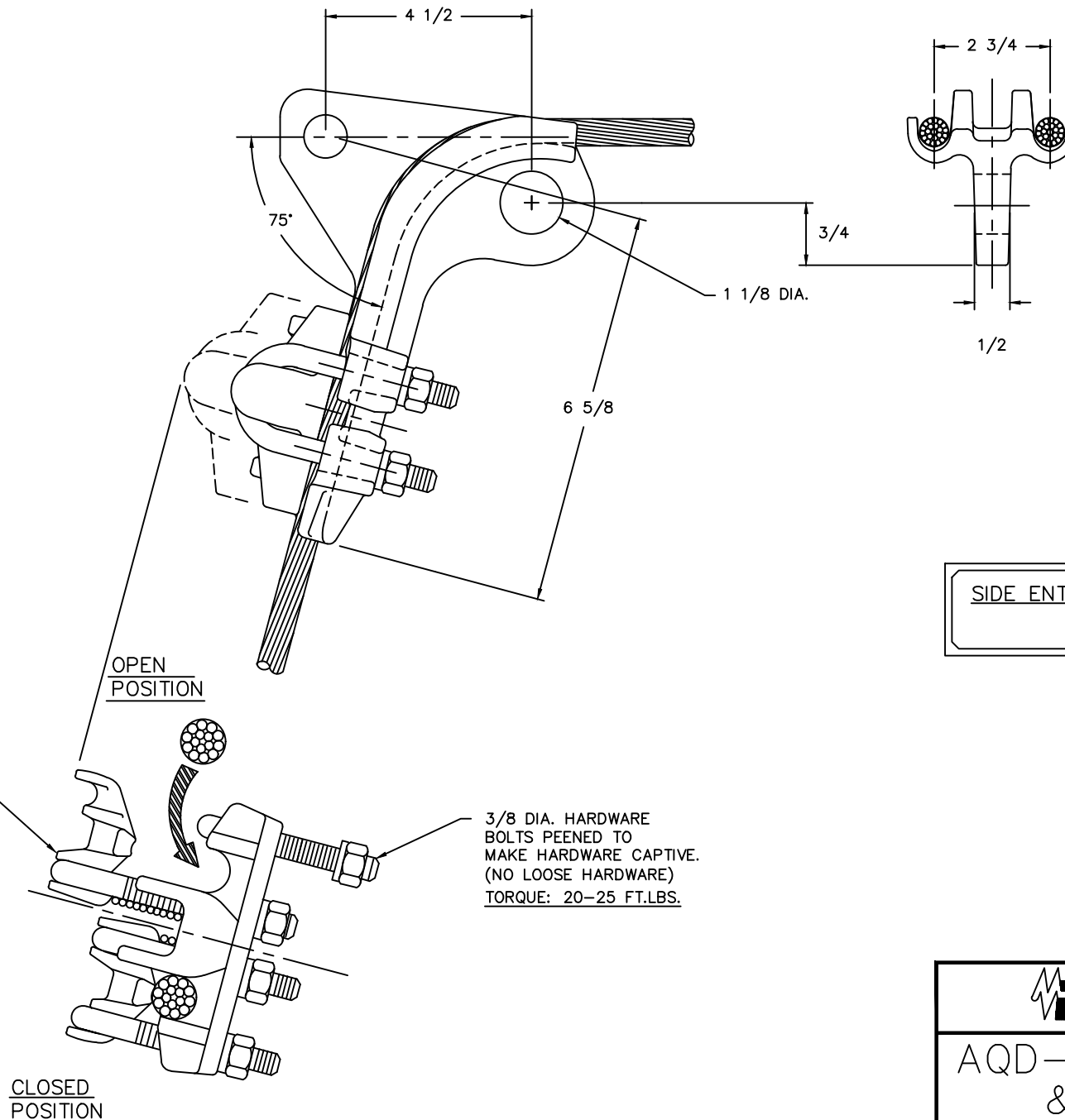


SEHL-625 SOCKET HOT-LINE: OPTIONAL.
AQD-T2-57-HLSE & AQD-T2-57-HLSEBC



MINIMUM ULTIMATE STRENGTH RATINGS
BODY - 17,000 LBS.
PULLING EYE - 10,000 LBS.

CONDUCTOR RANGE
T2 SWAN (#4 - 6/1 ACSR) .250" DIA.
T2 PENGUIN (4/0 - 6/1 ACSR) .570" DIA.



SIDE ENTRANCE QUADRANT DEAD-END
FOR T-2 CONDUCTOR

SPRING LOADED KEEPERS
HOLDS KEEPER IN OPEN POSITION
FOR EASIER CONDUCTOR INSTALLATION

NOTES:

AQD-T2-57

1. MATERIAL: BODY & KEEPER - ALUMINUM ALLOY A356-T6.
2. HARDWARE: CLEVIS PIN, U-BOLTS, NUTS, AND FLAT WASHERS STEEL - HOT DIP GALVANIZE PER ASTM-A-153. SPRINGS AND COTTER KEY - STAINLESS STEEL.

DIMENSIONS IN INCHES.

This information is confidential and is the property of Maclean Power Systems. It may not be made public or reproduced except that the Customer may make copies for use solely in installation, maintenance, and operation of products supplied by Maclean Power Systems.



MACLEAN POWER SYSTEMS
A Maclean-fogg Company

AQD-T2-57, AQD-T2-57-HLSE,
& AQD-T2-57-HLSE-BC
CONDUCTOR RANGE: .25"-.57"