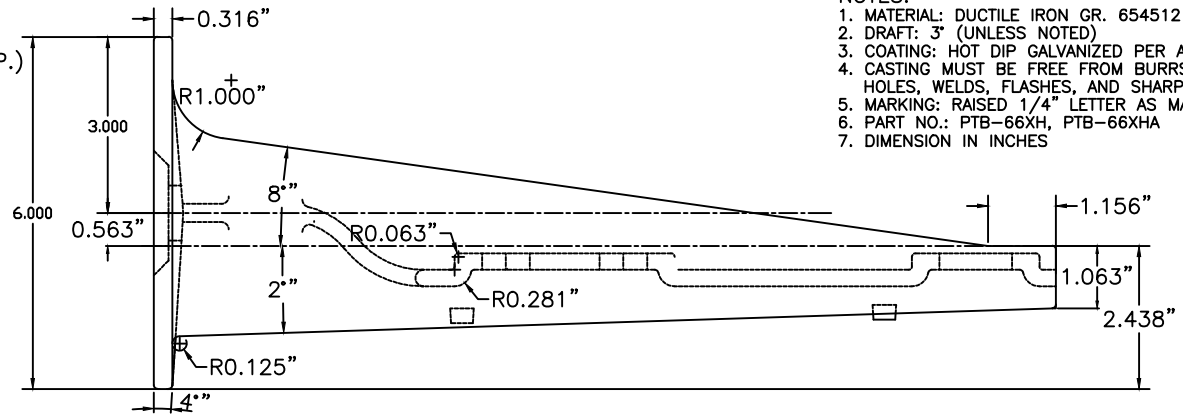
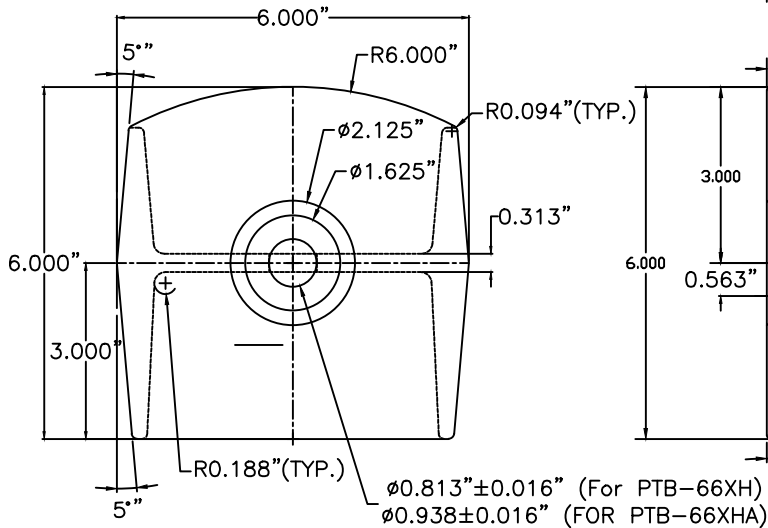
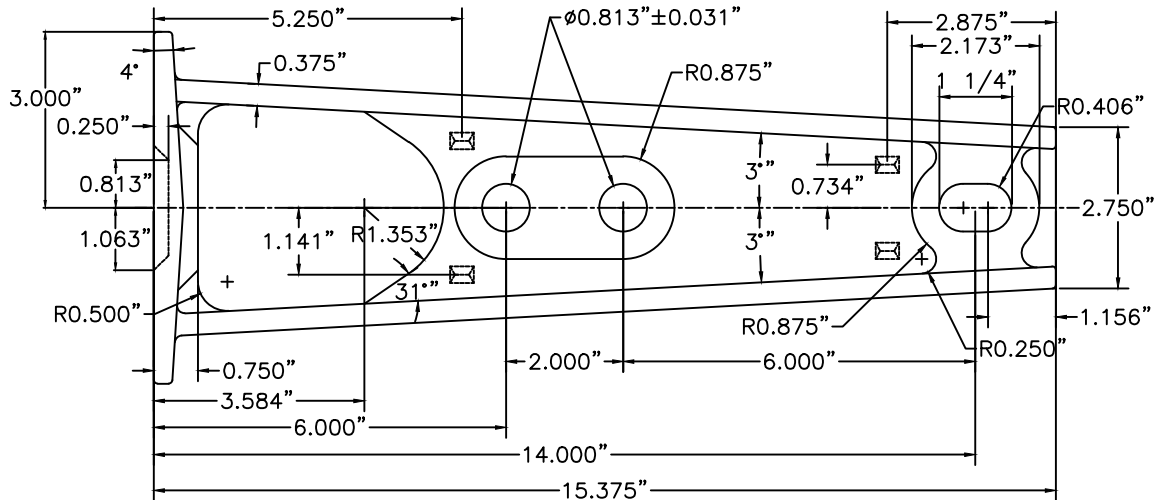
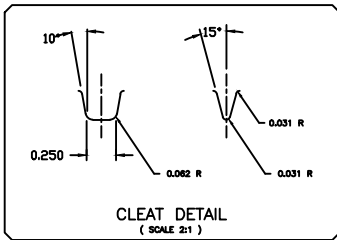


REVISIONS

NO.	DATE	DESCRIPTION	BY	CHKD
1	09/04/74	Added PTB55XHA w/11/16" dia pole mtg hole	VEP	
2	12/09/10	acad & removed PTB55XHA	DEB	



NOTES:

1. MATERIAL: DUCTILE IRON GR. 654512
2. DRAFT: 3° (UNLESS NOTED)
3. COATING: HOT DIP GALVANIZED PER ASTM A153
4. CASTING MUST BE FREE FROM BURRS, SEAMS, HOLES, WELDS, FLASHES, AND SHARP EDGES
5. MARKING: RAISED 1/4" LETTER AS MARKED
6. PART NO.: PTB-66XH, PTB-66XHA
7. DIMENSION IN INCHES

ENG. REF.

This information is confidential and is the property of Maclean Power Systems. It may not be made public or reproduced except that the Customer may make copies for use solely in installation, maintenance, and operation of products supplied by Maclean Power Systems.



MACLEAN POWER SYSTEMS
A Maclean-fogg Company

POLE TOP INSULATOR BRACKET
CAT. NO. PTB-66XH
PTB-66XHA

DATE	3-23-72	SCALE		NO.	CED-1417	R	2	SH	1
DWG. BY	LB	CHKD. BY	JOP	APR. BY				OF	1