



Custom Braced Post Request Sheet



Requester's Name:	Project Title:
Company:	Quantity Required:
Contact Phone:	Requested Deadline:

System Voltage (kV):
 For Standard Design, fill in catalog number below:

 Proceed to conductor Information...

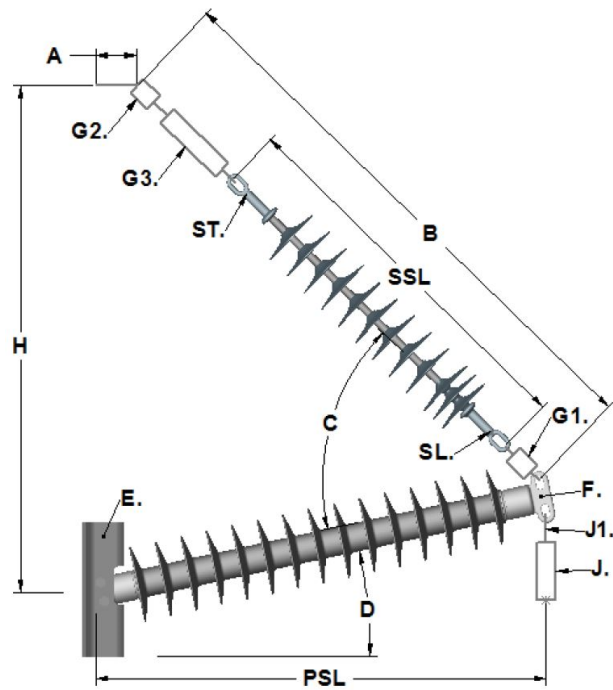
Custom Braced Post Design				
Brace Post Assembly Details**				
Item #	Description	Nominal	Max.	Min.
PSL	Post Section Length			
SSL	Suspension Section Length			
H	Assembly Height			
A	Vang Length			
B	Brace Length			
C	Brace Angle			
D	Post Upsweep Angle			

Mechanical Load Requirements (Minimum)				
	Tension			lbs.
	Vertical			lbs.
	Longitudinal			lbs.
	Compression			lbs.

Electrical Requirements (Minimum)		
Leakage		inch
Dry Arc Length		inch
60 Hz Flashover DRY		kV
60 Hz Flashover WET		kV
CIFO Positive (+)		kV
CIFO Negative (-)		kV

Corona Rings Required on: (Circle One)		
None	Suspension	Post

Conductor Information			
Conductor Name:	Size (OD):	Armor Rod	
		Yes	No



Post Insulator Customization			
Name	ID#	Description	New #
Post Base Type	E.		
Post Line Fitting Type	F.		
Suspension Insulator Customization			
Low End Fitting	SL.		
Tower End Fitting	ST.		
Hardware Attachment Customization			
Susp. To Post Connect	G1.		
Susp. To Tower (vang)	G2.		
Extension to Tower (Select 1 Option)			
G3.	None / Insulator Only		
	Steel Strap		
	Turnbuckle		
	Other (Specify)		
Conductor Attachment hardware			
Suspension Clamp			
Attachment Hardware			
Other			

** Specify which dimensions are critical to the application by adding a tolerance (Max/Min). For the remaining dimensions, provide only the nominal value. Mps will attempt to meet these values, but may change them to meet the critical dimensions.