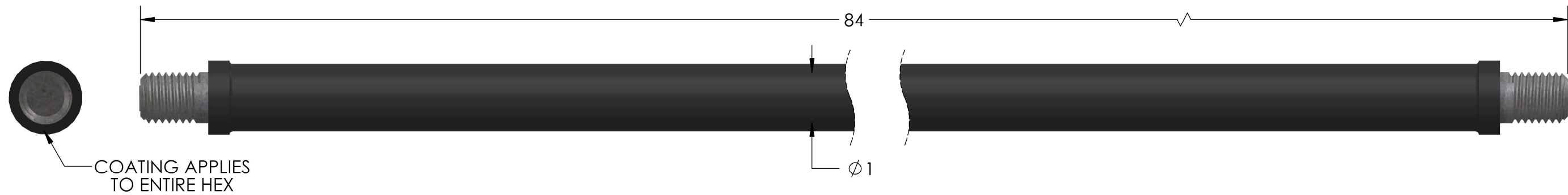


REV	REVISED BY:	REVISION DATE	ECO #
A	SF	05/13/26	13541

NOTES:

1. MATERIAL:  
ROD, CARBON STEEL, 50 KSI YIELD
2. FINISH:  
HOT DIP GALVANIZED PER ASTM A123 WITH ADDED CORROSION PROTECTION
3. CORROSION PROTECTIVE COATING APPLIED TO ALL NON THREADED SURFACES, INCLUDING THE ENTIRE HEX (FACE AND FLATS)
4. DIMENSIONS: INCHES
5. MECHANICAL RATING:  
ULTIMATE TENSILE RATING: 36,000 LBS



This drawing contains confidential information that is the property of MacLean Power, L.L.C. ("MacLean"). Use of MacLean's confidential information without MacLean's express written consent is strictly prohibited and may expose you to legal liability. If you believe that you received this material in error, please destroy it or return it to "MacLean Power, L.L.C., 11411 Addison Street, Franklin Park, Illinois 60131, USA."



WWW.MACLEANPOWER.COM

CATALOG NUMBER: <b>D100CPR</b>		DO NOT SCALE DRAWING	
SHEET NAME: <b>Sheet1</b>		1 OF 1	
DRAWING DESCRIPTION: CORROSION PROTECTED POWER HUB ANCHOR ROD		DESIGN DATE: 5/19/2026	
DRAWN BY:		SF	
ENGINEER:		SF	
APPROVED:		XXX	
DRAWING SCALE: 1:2		REVISION: <b>A</b>	