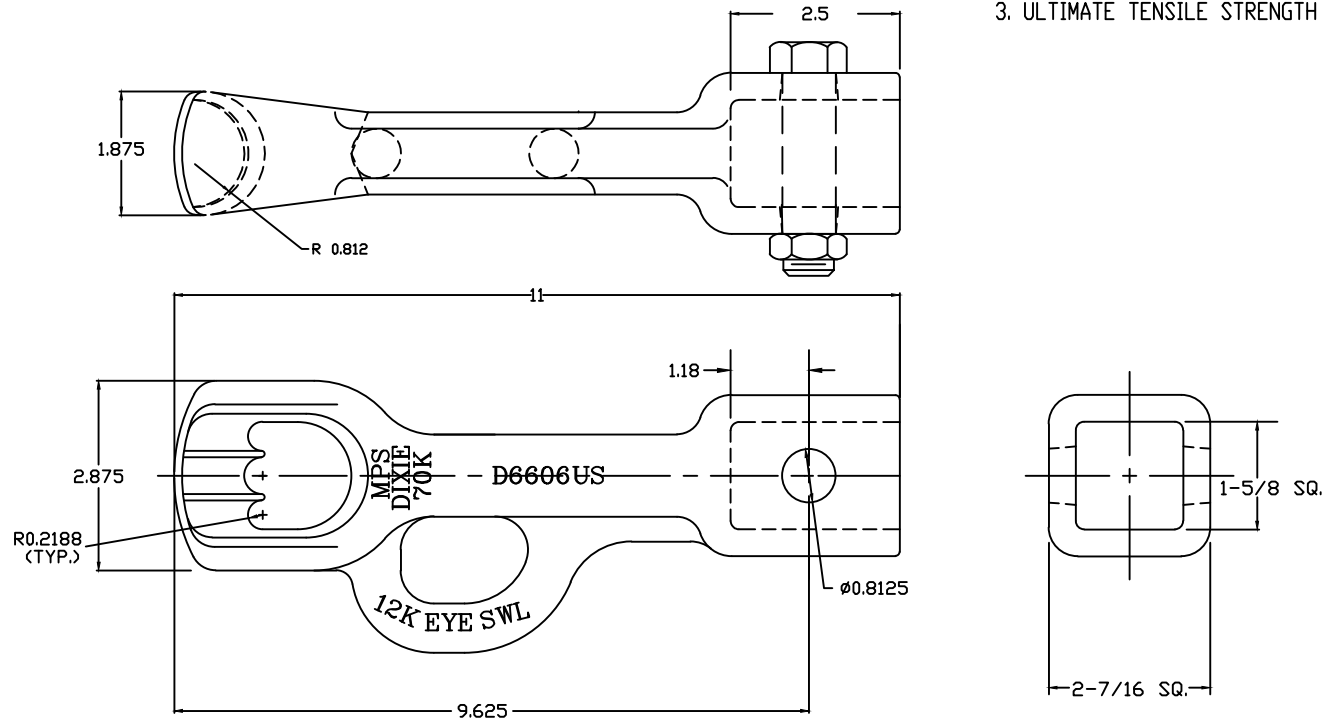


PAPER SIZE		DRAWING NUMBER	
A		D6606US	
ISS	REVISED BY:	REVISION DATE	ECD #
1	ASF	5/22/2024	13148

NOTES :

- HOT DIP GALV PER ASTM A123
- ALL DIMENSIONS ARE IN INCHES.
- ULTIMATE TENSILE STRENGTH 70,000 LBS



ITEM	DESCRIPTION	QTY
1	GUY ATT FEMALE-TE	1
2	HHMB-3/4HX3A	1
3	NUT HX JAM 3/4	1

CATALOG NO.
D6606US

DRAWING NUMBER:	
D6606US	
SHEET NAME:	1 OF 1
Sheet1	
DRAWING DESCRIPTION:	
GUY ATTACHMENT TPL, 1-1/4 RCSQ	
DRAWN BY:	DATE:
DH	02/10/17

This drawing contains confidential information that is the property of MacLean Power, L.L.C. ("MacLean"). Use of MacLean's confidential information without MacLean's express written consent is strictly prohibited and may expose you to legal liability. If you believe that you received this material in error, please destroy it or return it to MacLean Power, L.L.C., Kingsley Park Five, 481 Munn Rd. Suite 300, Fort Mill, SC 29715, USA.

TOLERANCES UNLESS SPECIFIED	
INCH	
0.XX	- - -
0.XXX	±0.031
ANGLE	±1°



WWW.MACLEANPOWER.COM