

MPS Catalog Number

DS-28M

Date: 2/13/2023

Rev B

End Fittings

Tower End Fitting:
Line End Fitting:
Color:
Rod Diameter

Clevis
Tongue
Grey
16 mm

Material

Corona Ring (Tower):
Corona Ring (Line):
Number of Sheds:
Weight Estimate:

None
None
6
2.9 lbs 1.3 kg

Dimensional Values

Section Length (A):
Shed Diameter (B):
Shed spacing (C):
Dry Arc Distance:
Leakage Distance:

17.0 in 432 mm
3.5 in 89 mm
1.76 in 45 mm
11.60 in 295 mm
24.6 in 625 mm

Electricals Values

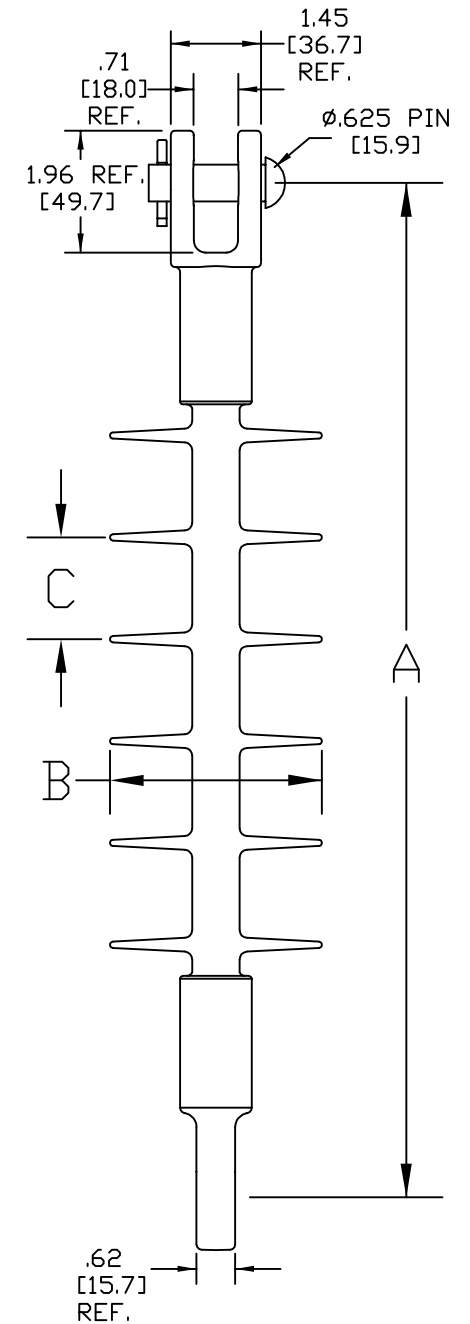
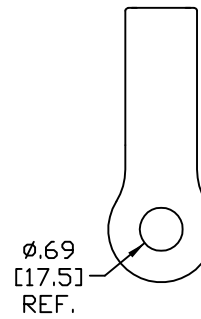
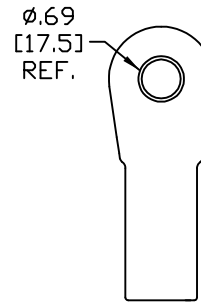
60 Hz Dry Flashover:
60 Hz Wet Flashover:
CIFO Positive:
CIFO Negative:

130 kV	Min. Withstand	121 kV
100 kV	Min. Withstand	87 kV
190 kV	Min. Withstand	171 kV
220 kV	Min. Withstand	198 kV

Mechanical Values

Specified Mechanical Load (SML):
Routine Test Load (RTL):

15,737 lbs 70. kN
7,868 lbs 35. kN



Part Marking
MPS
ANSI DS28M
CSA DS28
SML 15.7klbs/70kN
Date Code

Dimension: inches [millimeters]

Silicone rubber sheath and sheds complies with applicable ANSI and CSA standards.