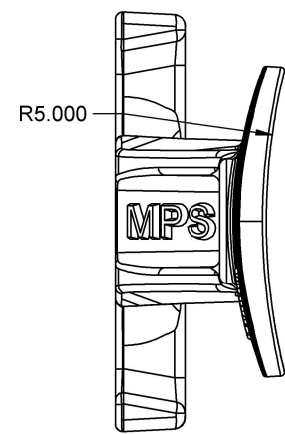
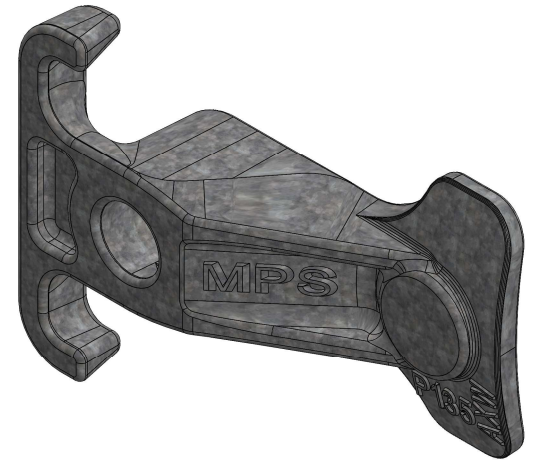
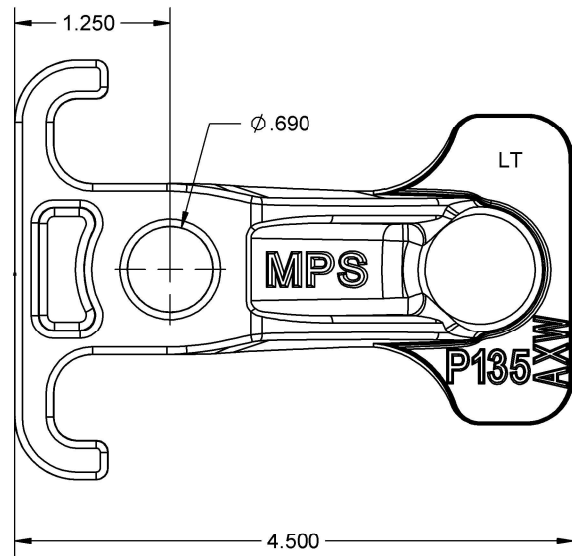
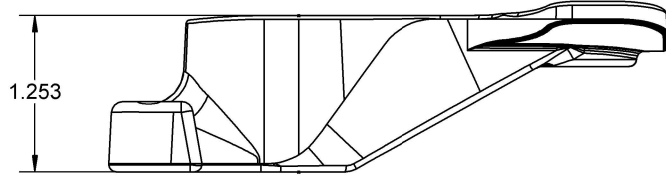


4

3

2

1



Notes:

- 1. MATERIAL: DUCTILE IRON PER ASTM A-536, COATING: HOT DIP GALVANIZE PER ASTM A-153.
- 2. ESTIMATED WEIGHT: 0.88 LBS.
- 3. DIMENSIONS ARE IN INCHES.
- 4. RATED STRENGTH: 13,550 LBS

PROJECT NAME	PART NUMBER	F344036	MACLEAN POWER SYSTEMS
ECO NUMBER	MATERIAL	Ductile Iron	
STRENGTH RATING	FINISH	Galvanized	DESCRIPTION
	CABLE RANGE	WEIGHT	
13,550 lbs	IN	0.88 LBS	POLE LINE HARDWARE
REASON FOR CHANGE	DRAWN BY	NAME	GUY HOOK LESS TEETH
	MARKING CUSTOMER DRAWING	ENGINEERING	P135AXWL
TOOLING	TOLERANCES		SIZE
	XX +/-0.08	X/XX +/-1/32	DWG. NO.
	XXX +/-0.031	ANGLES +/-1°	REV
Original Drawn By	Original Drawn Date	SCALE: 1:1	OLD DRAWING #
			EA-344036
			00
			SHEET 1 OF 1

4

3

2

1