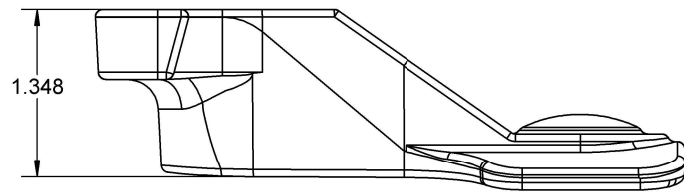
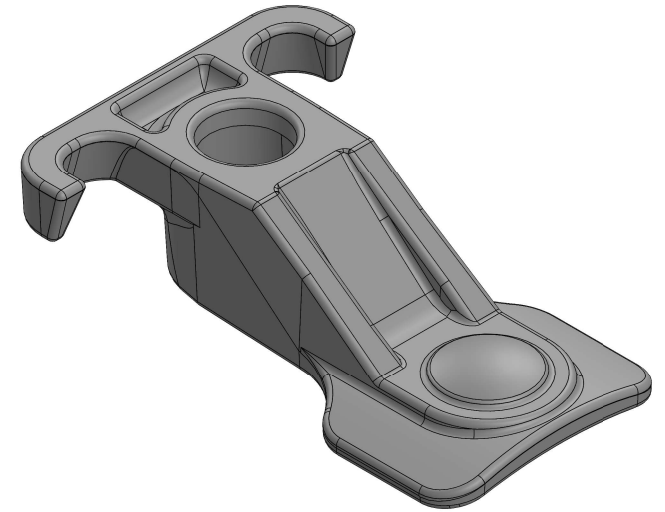
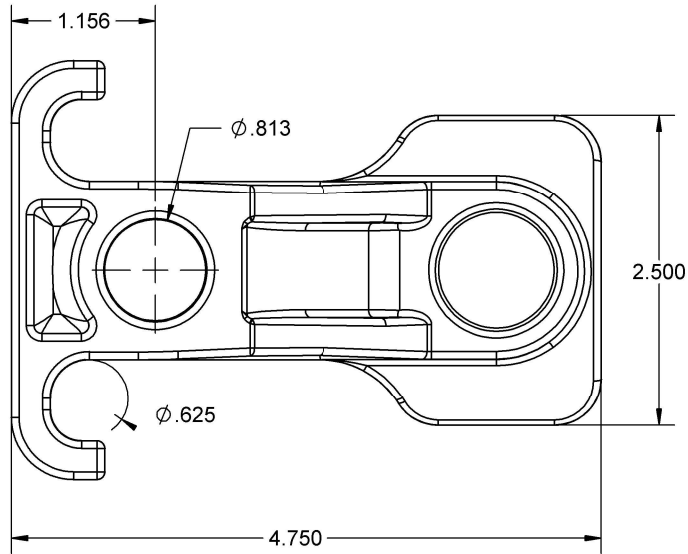


4

3

2

1



NOTES:

- 1. MATERIAL: DUCTILE IRON PER ASTM A-536.
- 2. COATING: HOT DIP GALVANIZE PER ASTM A-153.
- 10. ESTIMATED WEIGHT: 1.10 LBS.
- 12. DIMENSIONS ARE IN INC

PROJECT NAME	PART NUMBER	F344041	<b>MACLEAN POWER SYSTEMS</b>	
ECO NUMBER	MATERIAL	Ductile Iron	DESCRIPTION	
STRENGTH RATING	FINISH	GALVANIZED	POLE LINE HARDWARE GUY HOOK LESS TEETH P134AXWLT	
	CABLE RANGE IN	WEIGHT 1.05 LBS		
REASON FOR CHANGE	DRAWN BY	HMG	DATE	01/19/26
	ENGINEERING	HMG	DATE	01/19/26
	TOOLING			
			SIZE	DWG. NO.
			<b>B</b>	EA-344041
			SCALE: 1:1	REV 00
Original Drawn By HMG			Original Drawn Date 01/19/26	SHEET 1 OF 1

4

3

2

1