

PAPER SIZE		DRAWING NUMBER	
C		G55	
REV	REVISED BY:	REVISION DATE	ECO #
X	XXX	XX/XX/XX	XXX
X	XXX	XX/XX/XX	XXX

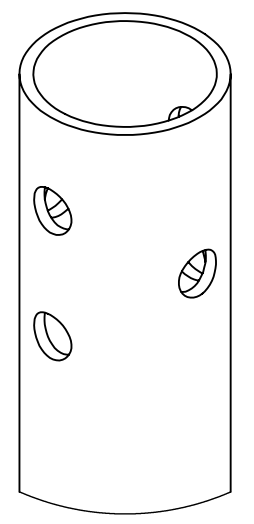
5.5" (0.361" wall) PRESSURE GROUTED DISPLACEMENT PILE (torque rating 50,000 ft-lbs)

Notes:

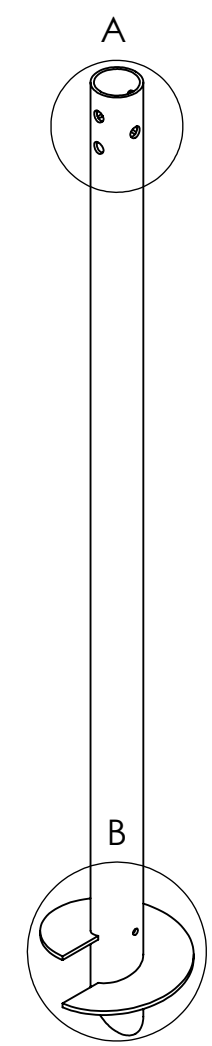
- Bolted sleeve couplers.
- Estimated grout column diameter of 10" to 18" equal to driver plate (H1) diameter
- Grout port at nose of pile, pressure grouted through ID of pile during installation
- Grout shall have a minimum compression strength of 4,000 psi
- Grout shall be pumped below the maximum pressure of 350 psi during installation
- Shaft Material - OCTG pipe - 80 ksi min yield
- Driver Plate Material - Hot rolled low carbon steel per ASTM A572 Grade 50 minimum
- Connection Hardware - Bolts per ASTM A325. Jam nuts per A563. Hot dipped galvanized per ASTM A153
- All welds performed by welders certified by AWS code D1.1
- All driver plates formed with nominal 6" pitch
- Products Hot Dipped Galvanized per ASTM A123 following fabrication. Non-galvanized products are designated with a "U" catalog number suffix.
- Custom lead and extension lengths up to 40' and driver plate configurations available upon request

Catalog Number	Length1 (ft)	H1 (in)	Grout Take yd3/LF	Ult Tension (kips)	Ult Compression (kips)
G55L15T18	15	18	0.07	256	506
G55L15T16		16	0.05		446
G55L15T14		14	0.04		394
G55L15T12		12	0.03		348
G55L15T10		10	0.02		309

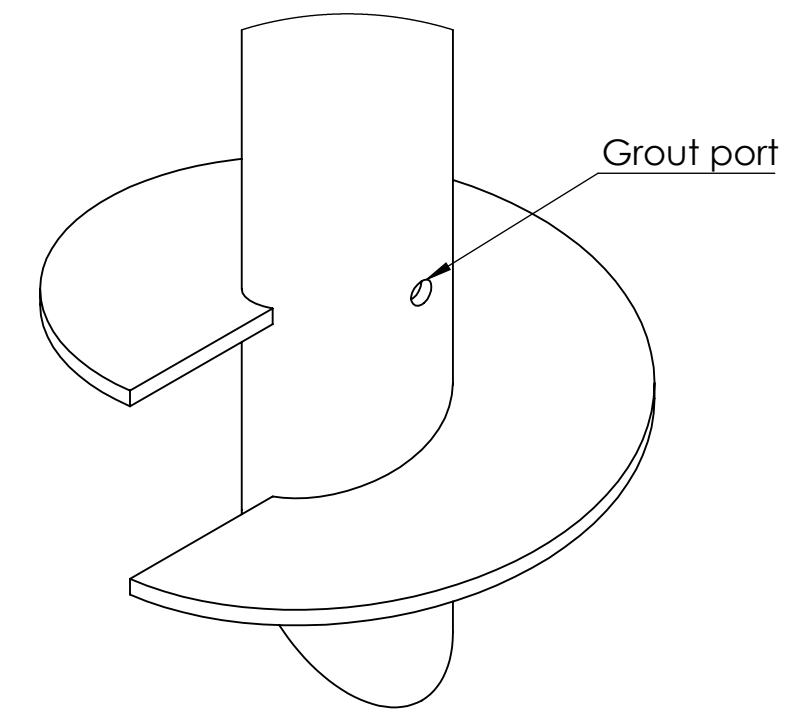
Catalog Number	Length2 (ft)
H55E20	20
H55E15	15
H55E10	10



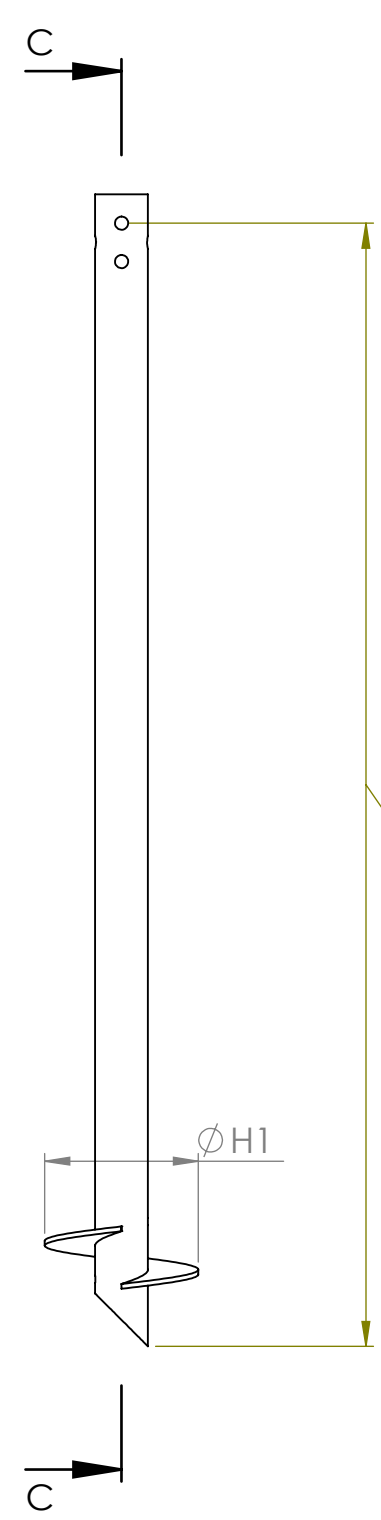
DETAIL A
SCALE 1 : 5



DETAIL B
SCALE 1 : 5



Grout port



SECTION C-C

Steel plate grout plug welded to ID of pipe

USE OR REPRODUCTION OF THIS DRAWING FOR THE PURPOSE OF MANUFACTURING THIS ARTICLE OR ARTICLES SHOWN OR ANY OTHER PURPOSE IS STRICTLY PROHIBITED EXCEPT ON WRITTEN PERMISSION **MACLEAN POWER SYSTEMS**

**MACLEAN
POWER
SYSTEMS**
1465 INDUSTRIAL PARK DR
TRENTON, TN 38382
TEL. (731) 470-3400 FAX: (731) 470-3402

DRAWING NUMBER: G55	DO NOT SCALE DRAWING
SHEET NAME: Sheet1	CAD GENERATED DRAWING DO NOT MANUALLY UPDATE
DRAWING DESCRIPTION: 5.5" bolted coupler grouted pile	DESIGN DATE: 01/04/22
DRAWING SCALE: 1:20	DRAWN BY: DR
	ENGINEER: DR
	APPROVED: XXX
	REF DWG: X