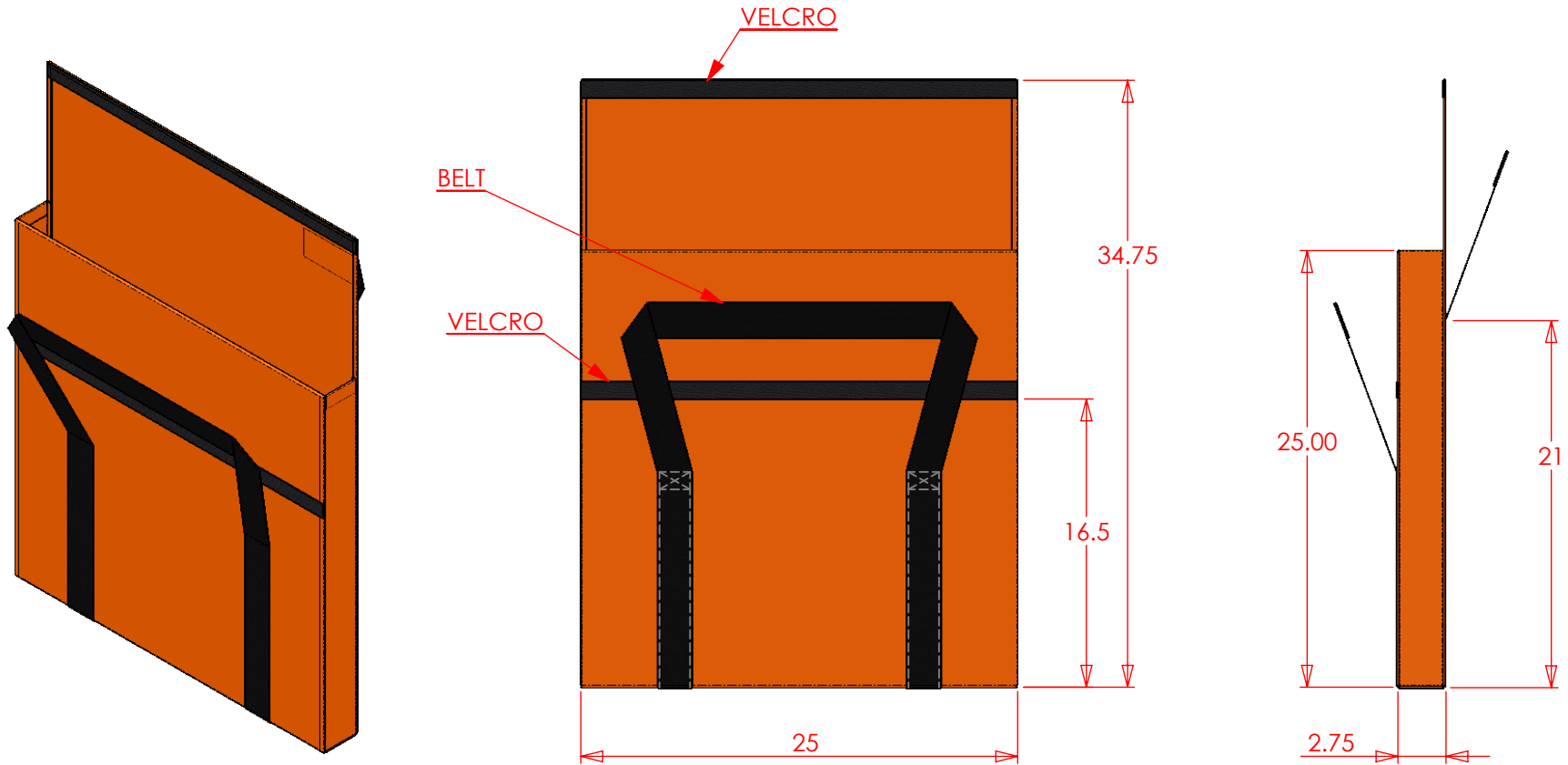


ITEM	DESCRIPTION	MATERIAL	QTY
1	CARRYING BAG	VINYLE 19OZ SUNBRIDE 1000	1

REV.	DATE	DESCRIPTION	REQUETE	PAR

PRODUCT NUMBER / DRAWING NUMBER
01-C-025-25



UNLESS OTHERWISE SPECIFIED, ALL DIMENSIONS ARE IN INCHES TOLERANCES ARE: <table border="1"> <tr> <td>.X</td> <td>± 0.031</td> </tr> <tr> <td>.XX</td> <td>± 0.010</td> </tr> <tr> <td>.XXX</td> <td>± 0.005</td> </tr> <tr> <td>ANGLES</td> <td>+/- 1°</td> </tr> </table>	.X	± 0.031	.XX	± 0.010	.XXX	± 0.005	ANGLES	+/- 1°	 225 Ford, Châteauguay (Qué.) Canada J6J 4Z2 Tel. (450) 698-0520 Fax: (450) 692-5670	DESCRIPTION	DRAWN ON
	.X	± 0.031									
	.XX	± 0.010									
	.XXX	± 0.005									
ANGLES	+/- 1°										
CARRYING BAG	2016-07-21										
SCALE	PAGE	PROJECT NUMBER									
1:10	1 of 1	-									
PRODUCT NUMBER / DRAWING NUMBER		PART NUMBER									
01-C-025-25		F610010									