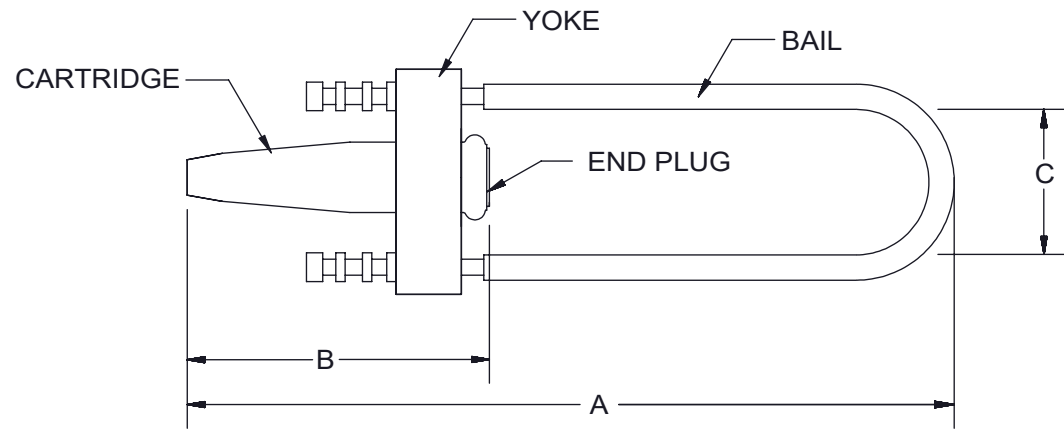
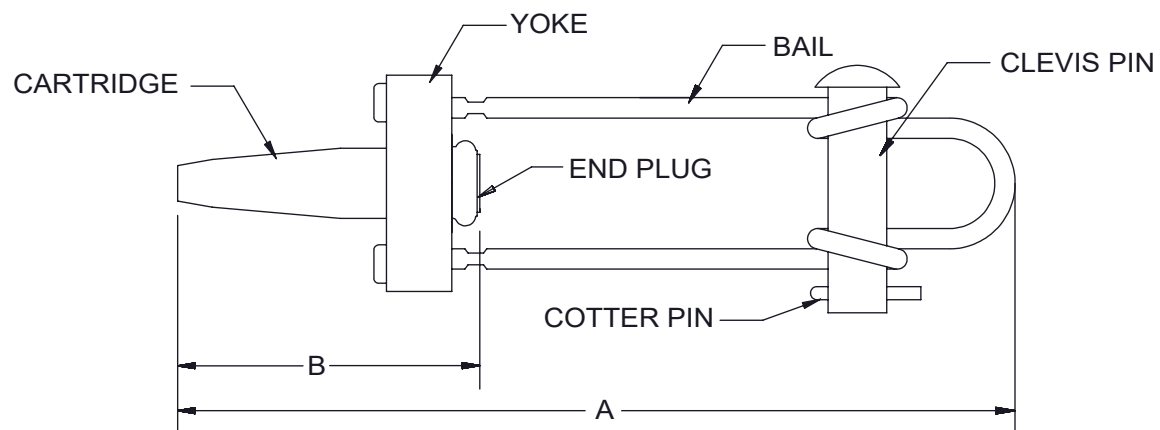


PAPER SIZE		CATALOG NUMBER	
<b>B</b>		<b>101-DEADEND</b>	
REV	REVISED BY	REVISION DATE	ECO #
D	AR	12-15-17	D8907



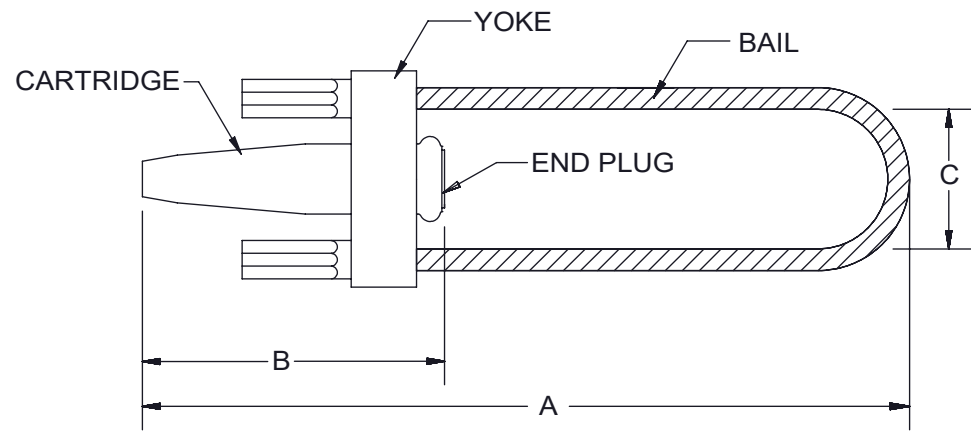
**FDN TYPE**

MATERIAL COMPOSITION BY WEIGHT: COPPER: 60%, STEEL: 40%



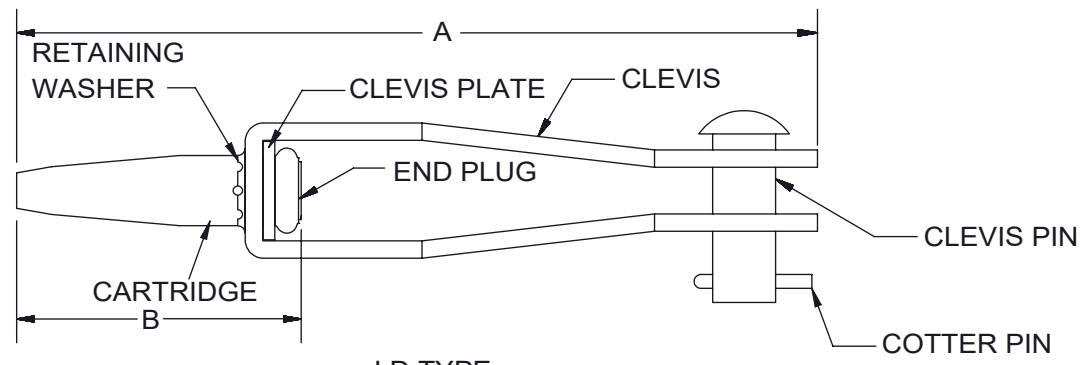
**SDS TYPE**

MATERIAL COMPOSITION BY WEIGHT: COPPER: 40%, STEEL: 60%



**FD TYPE**

MATERIAL COMPOSITION BY WEIGHT: COPPER: 70%, STEEL: 30%



**LD TYPE**

MATERIAL COMPOSITION BY WEIGHT: COPPER: 40%, STEEL: 60%

DESCRIPTION	MATERIAL
TUBING	COPPER ALLOY
JAWS	BRASS
SPRING	GALVANIZED STEEL
YOKE	COPPER
BAIL	STAINLESS STEEL
FD BAIL	GALVANIZED STEEL WIRE
CLEVIS PLATE	GALVANIZED STEEL
CLEVIS PIN	GALVANIZED STEEL
CLEVIS	GALVANIZED STEEL
COTTER PIN	STAINLESS STEEL
RETAINING WASHER	STAINLESS STEEL

**Notes:**

1. All dimensions are in inches.
2. All dimensions are reference.
3. Material composition by weight is approximate.

CONDUCTOR DIAMETER RANGE: .305 - .340

CATALOG NO.	CU SOLID ASTM-B258	CU 7-STRAND ASTM-B8	COPPERWELD STRAND	A	B	C	STD PACK
101 SDS	1/0	#1	3A	8.32	2.75		25
101 LD	1/0	#1	3A	8.26	2.75		25
101 FD	1/0	#1	3A	9.90	2.75	2.00	25
101 FDN	1/0	#1	3A	9.90	2.75	2.00	25

This drawing contains confidential information that is the property of MacLean Power, L.L.C. ("MacLean"). Use of MacLean's confidential information without MacLean's express written consent is strictly prohibited and may expose you to legal liability. If you believe that you received this material in error, please destroy it or return it to "MacLean Power, L.L.C., 481 Munn Rd, Suite 300, Fort Mill, SC 29715 USA."



DRAWING NUMBER: <b>GD-101 DEADEND</b>	
SHEET NAME: <b>Sheet1</b>	1 OF 1
DRAWING DESCRIPTION: <b>101 COPPER AUTOMATIC DEADENDS</b>	
DRAWN BY: AR	DESIGN DATE: 12-15-17