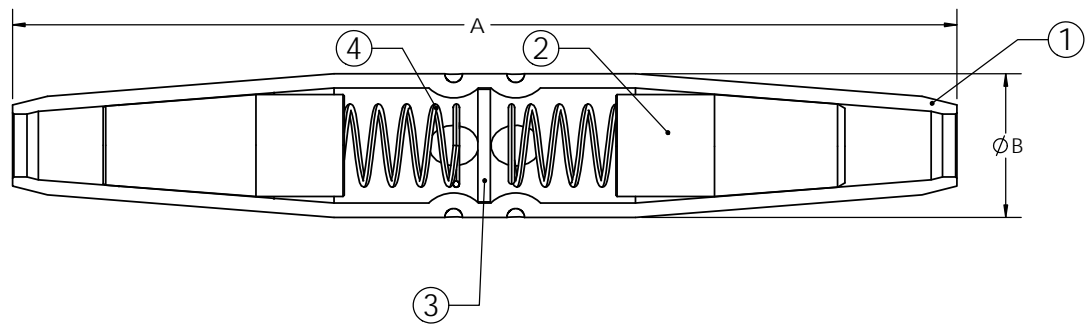


| ITEM NO. | DESCRIPTION    | MATERIAL     | QTY. |
|----------|----------------|--------------|------|
| 1        | TUBING         | COPPER ALLOY | 1    |
| 2        | JAW            | COPPER ALLOY | 2    |
| 3        | CENTER BARRIER | PLATED STEEL | 1    |
| 4        | SPRING         | GALV STEEL   | 2    |

|            |            |                |       |
|------------|------------|----------------|-------|
| PAPER SIZE |            | CATALOG NUMBER |       |
| <b>B</b>   |            | <b>GD-4161</b> |       |
| REV        | REVISED BY | REVISION DATE  | ECO # |
| A          | BTS        | 09-19-2014     | 11462 |



| CATALOG NO. | LARGE END             |                        |                      | SMALL END             |                        |                      | A IN | B IN |
|-------------|-----------------------|------------------------|----------------------|-----------------------|------------------------|----------------------|------|------|
|             | CU SOLID<br>ASTM-B258 | CU 7-STRAND<br>ASTM-B8 | COPPERWELD<br>STRAND | CU SOLID<br>ASTM-B258 | CU 7-STRAND<br>ASTM-B8 | COPPERWELD<br>STRAND |      |      |
| 4161        | #4                    | -                      | 8A                   | #6                    | #8                     | -                    | 3.67 | 0.50 |

This drawing contains confidential information that is the property of MacLean Power, L.L.C. ("MacLean"). Use of MacLean's confidential information without MacLean's express written consent is strictly prohibited and may expose you to legal liability. If you believe that you received this material in error, please destroy it or return it to "MacLean Power, L.L.C., 481 Munn Rd, Suite 300, Fort Mill, SC 29715 USA."



**MACLEAN  
POWER  
SYSTEMS**  
WWW.MACLEANPOWER.COM

|   |                       |
|---|-----------------------|
| DRAWING NUMBER:<br><b>GD-4161</b>           |                       |
| SHEET NAME:<br>Sheet1                       | 1 OF 1                |
| DRAWING DESCRIPTION:<br>4161 COPPER REDUCER |                       |
| DRAWN BY: BTS                               | DESIGN DATE: 09-17-14 |