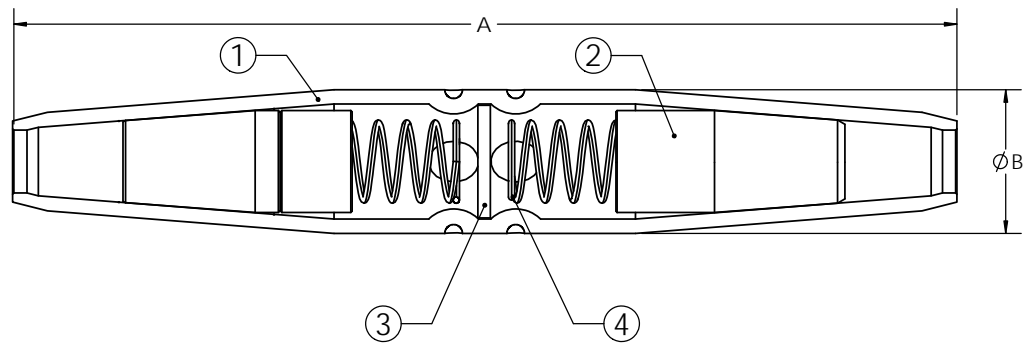


ITEM NO.	DESCRIPTION	MATERIAL	QTY.
1	TUBING	COPPER ALLOY	1
2	JAW	COPPER ALLOY	2
3	CENTER BARRIER	PLATED STEEL	1
4	SPRING	GALV STEEL	2

PAPER SIZE		CATALOG NUMBER	
<b>B</b>		<b>GD-4761</b>	
REV	REVISED BY	REVISION DATE	ECO #
A	BTS	09-19-2014	11462



CATALOG NO.	LARGE END			SMALL END			A IN	B IN
	CU SOLID ASTM-B258	CU 7-STRAND ASTM-B8	COPPERWELD STRAND	CU SOLID ASTM-B258	CU 7-STRAND ASTM-B8	COPPERWELD STRAND		
4761	#3	#4	6A	#6	#8	-	3.67	0.50

This drawing contains confidential information that is the property of MacLean Power, L.L.C. ("MacLean"). Use of MacLean's confidential information without MacLean's express written consent is strictly prohibited and may expose you to legal liability. If you believe that you received this material in error, please destroy it or return it to "MacLean Power, L.L.C., 481 Munn Rd, Suite 300, Fort Mill, SC 29715 USA."



**MACLEAN  
POWER  
SYSTEMS**

WWW.MACLEANPOWER.COM

DRAWING NUMBER:		<b>GD-4761</b>	
SHEET NAME:		Sheet1	
		1 OF 1	
DRAWING DESCRIPTION:			
4761 COPPER REDUCER			
DRAWN BY:		DESIGN DATE:	
BTS		09-17-14	