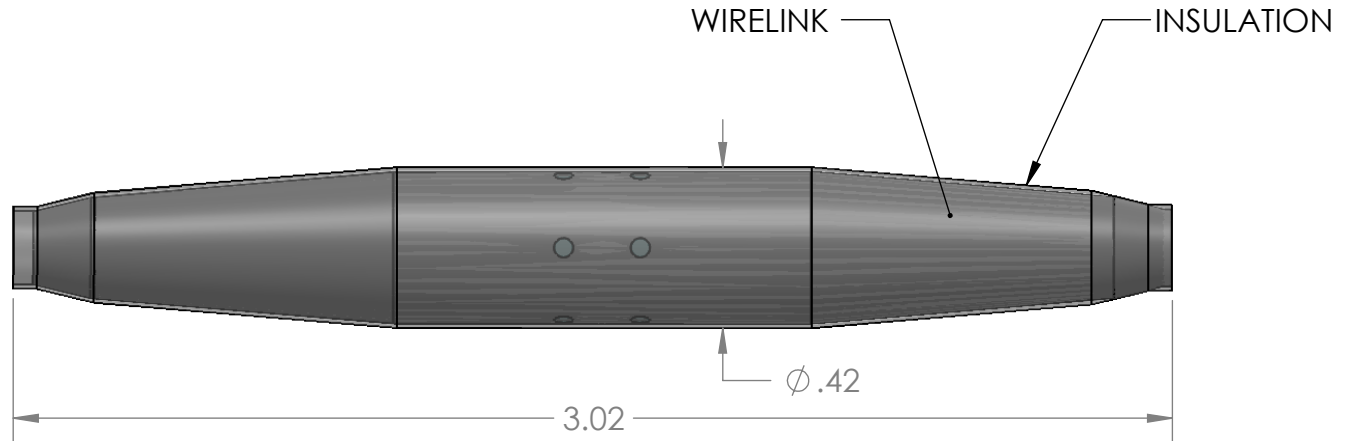
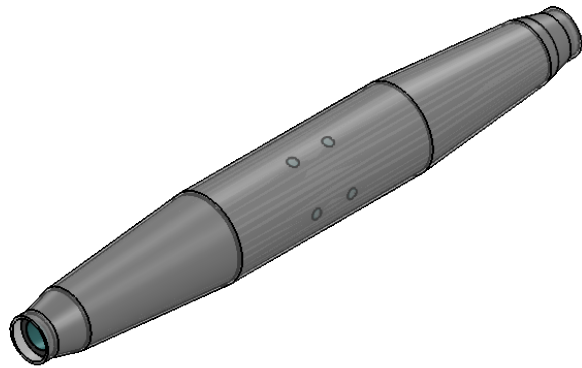


PAPER SIZE		DRAWING NUMBER	
A		GD-5057N	
A	CLF	11-21-23	D9044



ITEM #	DESCRIPTION	MATERIAL	QUANTITY
1	TUBE	ALUMINUM	1
2	JAW	PLATED STEEL	4
3	SPRING	GALVANIZED STEEL	2
4	CENTER BARRIER	PLATED STEEL	1
5	INSULATION	RAYCHEM RNF-100	1

WIRE RANGE	
IN	MM
.062 - 0.100	1.40 - 2.60
16 USSWG	16 BWG
15 USSWG	15 BWG
14 USSWG	14 BWG
13 USSWG	13 BWG

- NOTE:**
1. SPLICE IS RATED TO HOLD A MINIMUM OF 90% OF THE RBS OF THE STRAND USED.
 2. DIMENSIONS ARE IN INCHES.
 3. ALL DIMENSIONS ARE REFERENCE.

USE OR REPRODUCTION OF THIS DRAWING FOR THE PURPOSE OF MANUFACTURING THIS ARTICLE OR ARTICLES SHOWN OR ANY OTHER PURPOSE IS STRICTLY PROHIBITED EXCEPT ON WRITTEN PERMISSION **MACLEAN POWER SYSTEMS**



**MACLEAN
POWER
SYSTEMS**

1465 INDUSTRIAL PARK DRIVE
TRENTON, TN 38382
TEL. (731) 470-3400 FAX: (731) 470-3402

DRAWING NUMBER		DO NOT SCALE DRAWING	
GD-5057N		CAD GENERATED DRAWING DO NOT MANUALLY UPDATE	
SHEET NAME:	Sheet1	1 OF 1	
DRAWING DESCRIPTION		DESIGN DATE: 11/21/2023	
CATALOG NO. 5057N		DRAWN BY:	CLF
		ENGINEER:	CLF
		APPROVED:	MEG
DWG SCALE: 2:1		REF DWG: X	