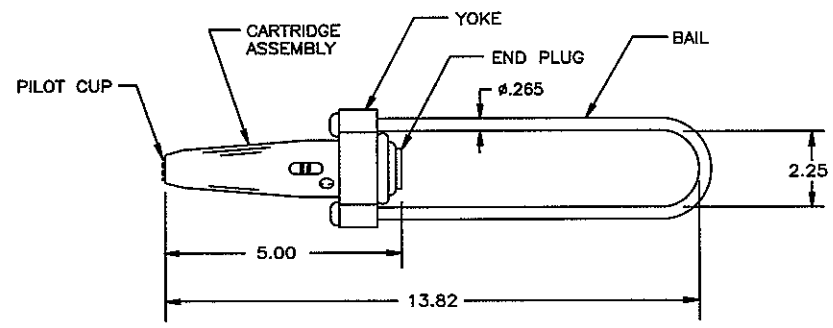


PAPER SIZE		DRAWING NUMBER	
A SIZE		GD-5152	
REV	REVISION DATE	ECO	
A	05-15-12	10616	



CATALOG NO. 5152
 WIRE RANGE: .360"-.405"

MATERIAL:

- PILOT CUP - PLATED STEEL
- TUBING - ALUMINUM ALLOY
- JAWS - COLD FORMED, HEAT TREATED AND PLATED STEEL
- SPRING - GALVANIZED STEEL
- JAW WASHER - PLATED STEEL
- YOKE - ALUMINUM ALLOY
- BAIL - STAINLESS STEEL
- END PLUG - PLASTIC (ORANGE)

USE OR REPRODUCTION OF THIS DRAWING FOR THE PURPOSE OF MANUFACTURING THIS ARTICLE OR ARTICLES SHOWN OR ANY OTHER PURPOSE IS STRICTLY PROHIBITED EXCEPT ON WRITTEN PERMISSION.
 MACLEAN POWER SYSTEMS

DRAWING-COMPUTER LOCATION
 DRAWING-COMPUTER-LOCATION

TOLERANCES UNLESS SPECIFIED	
MEASURE	
0.XX	— — — —
0.XXX	— — — —
ANGLE	— — — —



MACLEAN POWER SYSTEMS
 RELIABLE POWER PRODUCTS
 11411 ADDISON STREET
 FRANKLIN PARK, L. 00131

DRAWN BY	ENGINEER	CHECKER	CATALOG #	SCALE	DESIGN DATE
MRM	MRM	JBB	5152	---	05-15-12
DRAWING TITLE / DESCRIPTION					DRAWING NUMBER
5152GENERALDIMENSION					