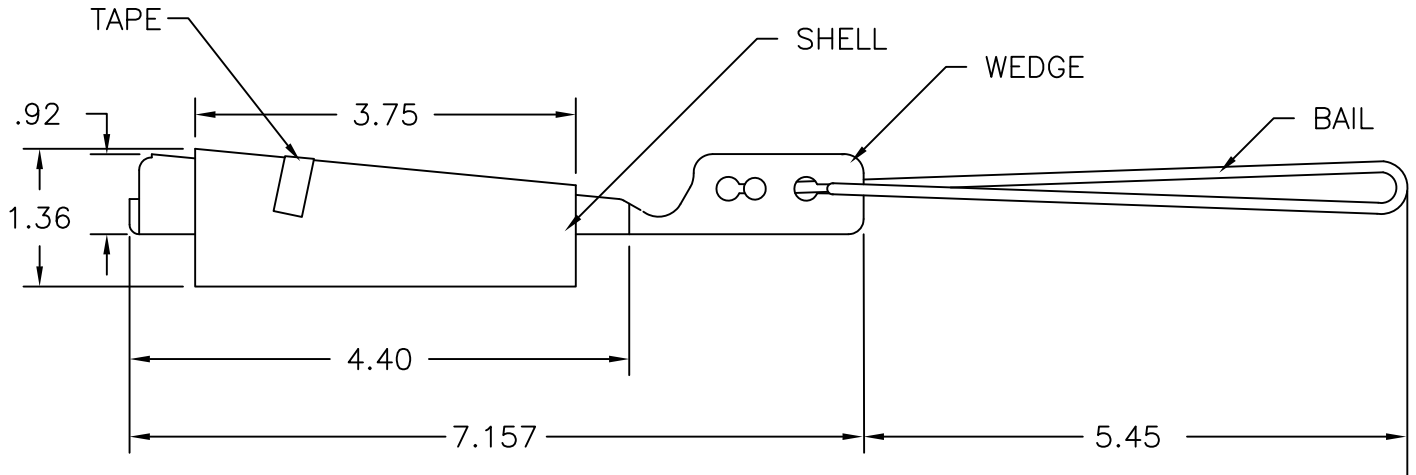


A

B

PAPER SIZE	DRAWING NUMBER	
A SIZE	GD-71871	
REV	REVISION DATE	ECO
A	05-12-11	10239
B	10-31-16	12335



CATALOG NO. 71871

M.B.S.: 1,200 LBS.

MATERIAL:

BAIL - STAINLESS STEEL

SHELL - ALUMINUM ALLOY/IRRIDITE FINISH

WEDGE - ALUMINUM ALLOY/IRRIDITE FINISH

TAPE - COLOR (BLUE)

ⓑ REFER TO 1914-066 FOR INSTALLATION INSTRUCTION.

USE OR REPRODUCTION OF THIS DRAWING FOR THE PURPOSE OF MANUFACTURING THIS ARTICLE OR ARTICLES SHOWN OR ANY OTHER PURPOSE IS STRICTLY PROHIBITED EXCEPT ON WRITTEN PERMISSION.

MACLEAN POWER SYSTEMS

DRAWING-COMPUTER LOCATION

TOLERANCES UNLESS SPECIFIED	
INCH[mm]	
0.XX	± [±]
0.XXX	± [±]
ANGLE	±



**MACLEAN
POWER
SYSTEMS**

RELIABLE POWER PRODUCTS
11411 ADDISON STREET
FRANKLIN PARK, IL. 60131

DRAWN BY	ENGINEER	CHECKER	CATALOG #	SCALE	DESIGN DATE
PDR	MRM	JBB	71871	---	05-12-11
DRAWING TITLE / DESCRIPTION					DRAWING NUMBER
WEDGE CLAMP - ALUMINUM					GD-71871