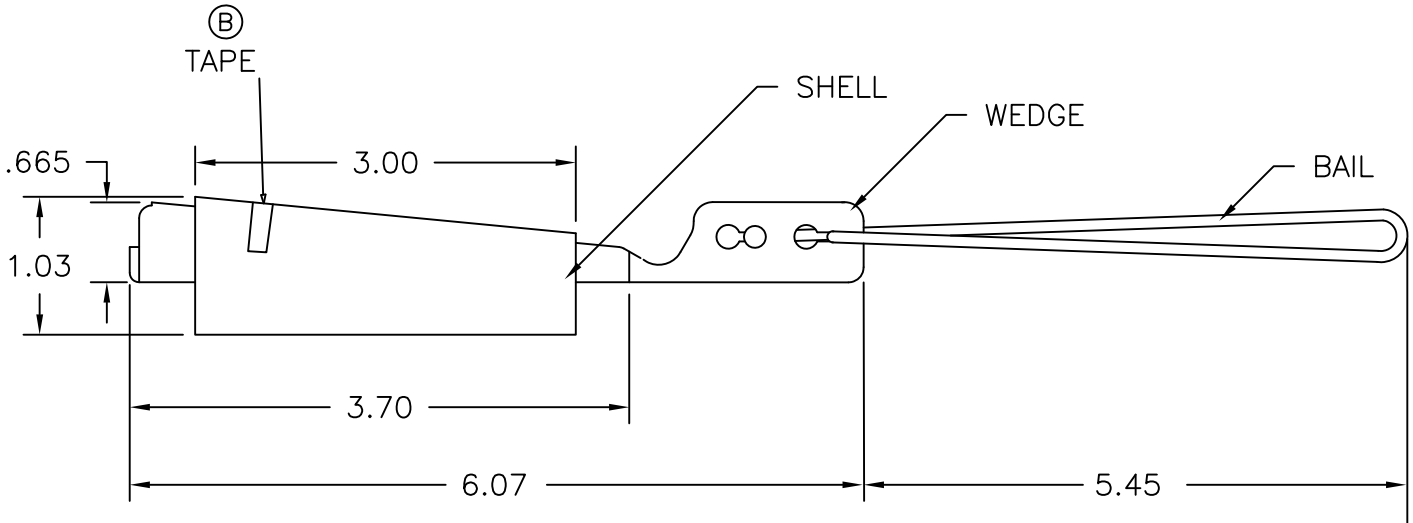


A

B

PAPER SIZE	DRAWING NUMBER	
A SIZE	GD-7195	
REV	REVISION DATE	ECO
A	11-01-00	6043
B	05-12-11	10239
C	10-31-16	12335



CATALOG NO. 7195

M.B.S.: 1,000 LBS. (B)

MATERIAL:

BAIL - STAINLESS STEEL (B)

SHELL - ALUMINUM ALLOY (B)

WEDGE - ALUMINUM ALLOY (B)

TAPE - COLOR (ORANGE) (B)

(C) REFER TO 1914-066 FOR INSTALLATION INSTRUCTION.

USE OR REPRODUCTION OF THIS DRAWING FOR THE PURPOSE OF MANUFACTURING THIS ARTICLE OR ARTICLES SHOWN OR ANY OTHER PURPOSE IS STRICTLY PROHIBITED EXCEPT ON WRITTEN PERMISSION.

MACLEAN POWER SYSTEMS

DRAWING-COMPUTER LOCATION

TOLERANCES  
UNLESS SPECIFIED

INCH[mm]	
0.XX	± [ ± ]
0.XXX	± [ ± ]
ANGLE	±



**MACLEAN  
POWER  
SYSTEMS**

RELIABLE POWER PRODUCTS  
11411 ADDISON STREET  
FRANKLIN PARK, IL. 60131

DRAWN BY	ENGINEER	CHECKER	CATALOG #	SCALE	DESIGN DATE
FJS	JWB	FJS	7195	---	05-30-90
DRAWING TITLE / DESCRIPTION					DRAWING NUMBER
WEDGE CLAMP - ALUMINUM					GD-7195