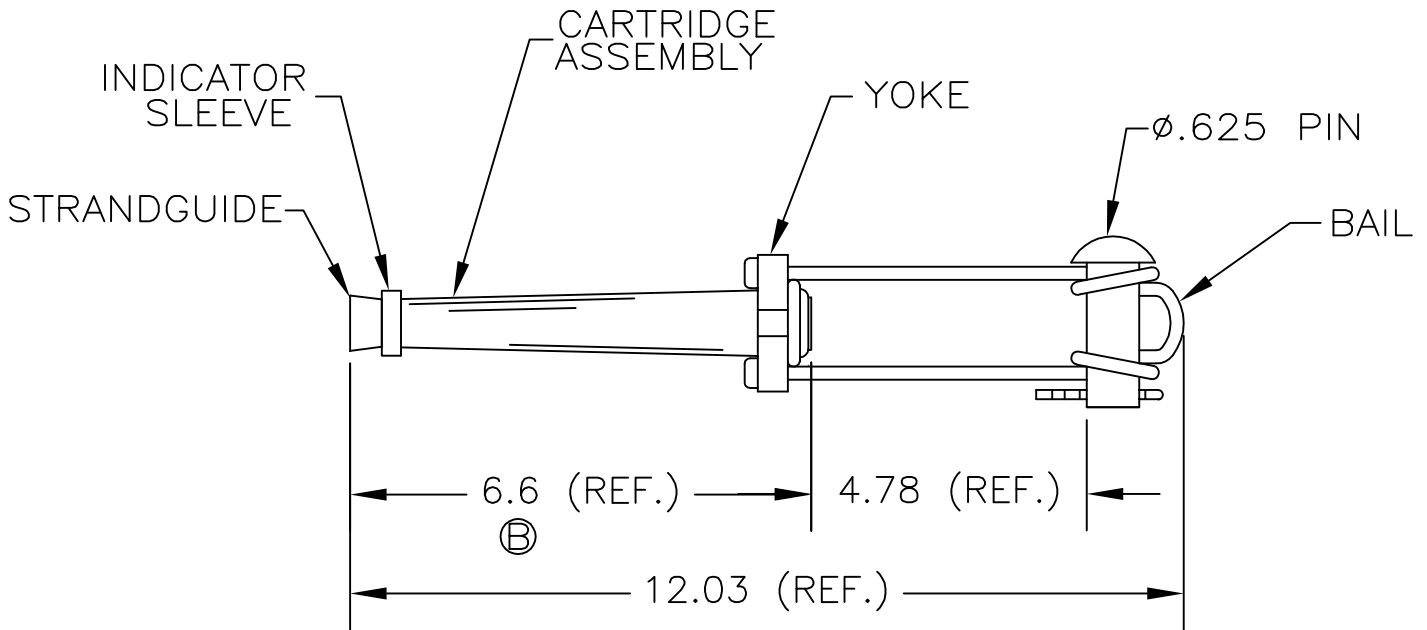


PAPER SIZE		DRAWING NUMBER	
A SIZE		GD 7652-APSDS	
REV	REVISION DATE	ECO	
A	06-13-03	6849	
B	02-12-04	7037	



MATERIAL:

- JAWS – DIE CAST ALUMINUM ALLOY
- TUBING – ALUMINUM ALLOY
- PILOT CUP – PLATED STEEL
- SPRINGS – GALVANIZED STEEL
- STRANDGUIDE – PLASTIC
- CLEVIS PIN – GALVANIZED STEEL
- YOKE – ALUMINUM
- BAIL – STAINLESS STEEL
- COTTER PIN – STAINLESS STEEL
- INDICATOR SLEEVE – PLASTIC

USE OR REPRODUCTION OF THIS DRAWING FOR THE PURPOSE OF MANUFACTURING THIS ARTICLE OR ARTICLES SHOWN OR ANY OTHER PURPOSE IS STRICTLY PROHIBITED EXCEPT ON WRITTEN PERMISSION.

• MACLEAN POWER SYSTEMS •

DRAWING-COMPUTER LOCATION

G:\GENERAL\7652 APSD

TOLERANCES UNLESS SPECIFIED

0.XX	
0.XXX	
ANGLE	



**MACLEAN
POWER
SYSTEMS**

RELIABLE POWER PRODUCTS
11411 ADDISON STREET
FRANKLIN PARK, IL 60131

DRAWN BY	ENGINEER	CHECKER	CATALOG #	SCALE	DESIGN DATE
KCK		FJS	F043939		06-13-03
DRAWING TITLE / DESCRIPTION					DRAWING NUMBER
DEADEND, ACSR					GD 7652-APSDS