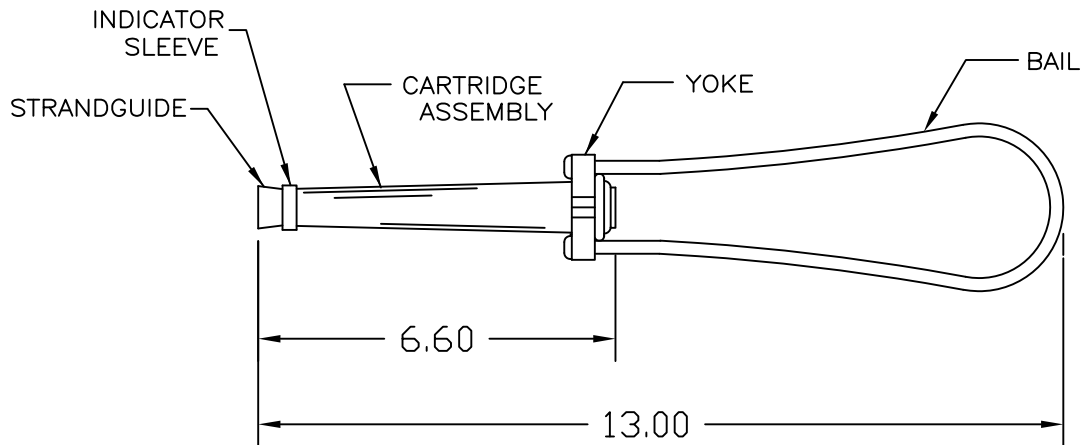


A

B

PAPER SIZE	DRAWING NUMBER	
A SIZE	GD-7652APFDS	
REV	REVISION DATE	ECO
A	06-28-19	D9599



MATERIAL:

JAWS - DIE CAST ALUMINUM ALLOY
 TUBING - ALUMINUM ALLOY
 PILOT CUP - PLATED STEEL
 SPRING - GALVANIZED STEEL
 STRANDGUIDE - PLASTIC
 YOKE - ALUMINUM
 BAIL - STAINLESS STEEL
 INDICATOR SLEEVE - PLASTIC

ACSR ASTM-B232	AAAC ASTM-B399	AAC ASTM-B231	CONDUCTOR DIA. RANGE
#2 & #4	#2 & #4	#2 & #4	.299-.340

NOTES:

CATALOG #	7652APFDS
-----------	-----------

1. DIMENSIONS ARE REFERENCE AND IN INCHES.

USE OR REPRODUCTION OF THIS DRAWING FOR THE PURPOSE
 OF MANUFACTURING THIS ARTICLE OR ARTICLES SHOWN OR
 ANY OTHER PURPOSE IS STRICTLY PROHIBITED EXCEPT ON
 WRITTEN PERMISSION.

MACLEAN POWER SYSTEMS

TOLERANCES UNLESS SPECIFIED	
INCH	
0.XX	
0.XXX	
ANGLE	



**MACLEAN
POWER
SYSTEMS**

RELIABLE POWER PRODUCTS
 11411 ADDISON STREET
 FRANKLIN PARK, IL. 60131

DRAWN BY	ENGINEER	CHECKER	CATALOG #	SCALE	DESIGN DATE
MTT	CAN	MG	7652APFDS	NONE	6/12/98
DRAWING TITLE / DESCRIPTION					DRAWING NUMBER
APFDS ASSEMBLY					GD-7652APFDS