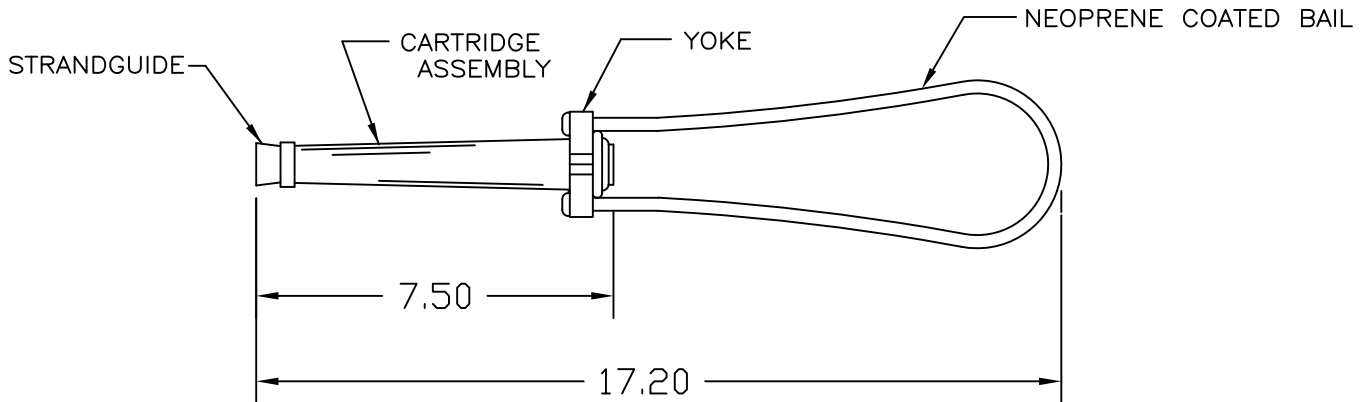


A

B

PAPER SIZE	DRAWING NUMBER	
A SIZE	GD-7653 FDSN	
REV	REVISION DATE	ECO
A	06-11-19	D9557



MATERIAL:

JAWS – DIE CAST ALUMINUM ALLOY
 TUBING – ALUMINUM ALLOY
 PILOT CUP – PLATED STEEL
 SPRING – GALVANIZED STEEL
 STRANDGUIDE – PLASTIC
 YOKE – ALUMINUM
 BAIL – STAINLESS STEEL

ACSR ASTM-B232	AAAC ASTM-B399	AAC ASTM-B231	CONDUCTOR DIA. RANGE
1/0	1/0	1/0 & 2/0	.365-.425

CATALOG #	7653 FDSN
-----------	-----------

NOTES:

1. DIMENSIONS ARE REFERENCE AND IN INCHES.

USE OR REPRODUCTION OF THIS DRAWING FOR THE PURPOSE OF MANUFACTURING THIS ARTICLE OR ARTICLES SHOWN OR ANY OTHER PURPOSE IS STRICTLY PROHIBITED EXCEPT ON WRITTEN PERMISSION.

MACLEAN POWER SYSTEMS

TOLERANCES UNLESS SPECIFIED	
INCH	
0.XX	
0.XXX	
ANGLE	



**MACLEAN
POWER
SYSTEMS**

RELIABLE POWER PRODUCTS
11411 ADDISON STREET
FRANKLIN PARK, IL. 60131

DRAWN BY	ENGINEER	CHECKER	CATALOG #	SCALE	DESIGN DATE
MT	CAN	MT	7653 FDSN	NONE	6/12/98
DRAWING TITLE / DESCRIPTION					DRAWING NUMBER
FD SN ASSEMBLY					GD-7653 FDSN