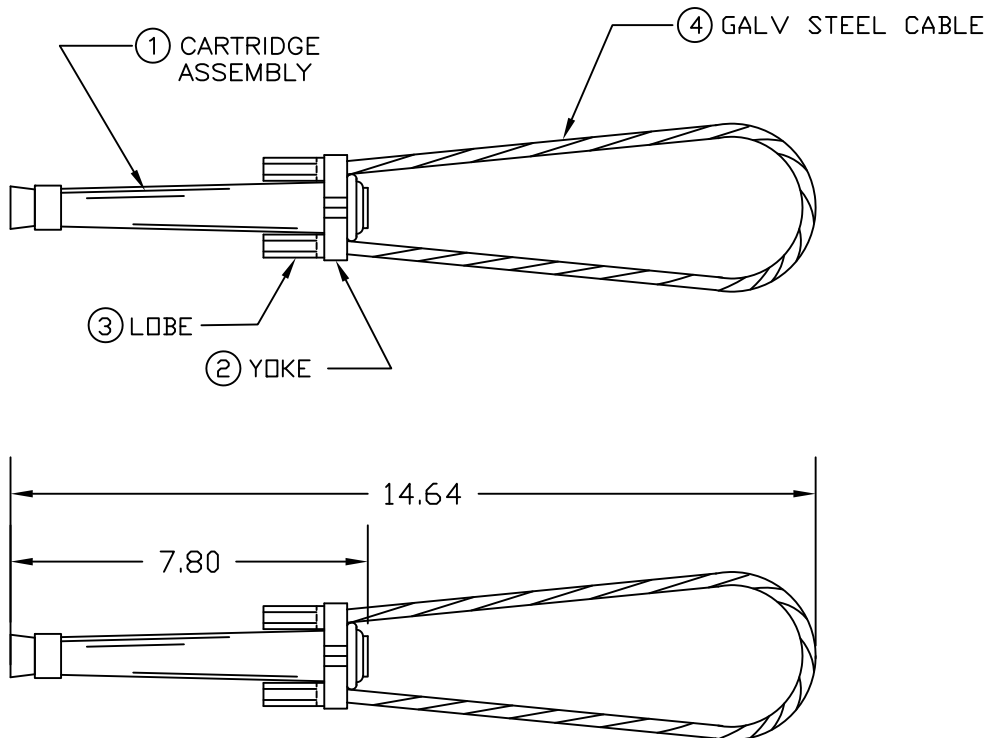


A

B

PAPER SIZE	DRAWING NUMBER	
A SIZE	GD-7654AP FD	
REV	REVISION DATE	ECO
A	09-26-16	12301



ITEM	DESCRIPTION	MATERIAL
1	CARTRIDGE ASSEMBLY	TUBING: ALUMINUM ALLOY JAWS: ALUMINUM ALLOY PILOT CUP: ALUMINUM ALLOY SPRINGS: GALVANIZED STEEL STRANDGUIDE: PLASTIC
2	YOKE	ALUMINUM
3	LOBE	STAINLESS STEEL
4	GALVANIZED STEEL CABLE	GALVANIZED STEEL

CATALOG #	ACSR	AAAC	AAC
7654AP FD	1/0 & 2/0	1/0 & 2/0	1/0, 2/0, & 3/0

NOTE: ALL DIMENSIONS ARE REFERENCE AND IN INCHES.

USE OR REPRODUCTION OF THIS DRAWING FOR THE PURPOSE OF MANUFACTURING THIS ARTICLE OR ARTICLES SHOWN OR ANY OTHER PURPOSE IS STRICTLY PROHIBITED EXCEPT ON WRITTEN PERMISSION.  
**MACLEAN POWER SYSTEMS**

DRAWING-COMPUTER LOCATION  
G:/UPDATE/1000049

TOLERANCES UNLESS SPECIFIED	
INCH	
0.XX	
0.XXX	
ANGLE	



**MACLEAN POWER SYSTEMS**  
RELIABLE POWER PRODUCTS  
11411 ADDISON STREET  
FRANKLIN PARK, IL 60131

DRAWN BY	ENGINEER	CHECKER	CATALOG #	SCALE	DESIGN DATE
SG	SG	MG		NONE	09-22-16
DRAWING TITLE / DESCRIPTION					DRAWING NUMBER
DEAD END					GD-7654AP FD