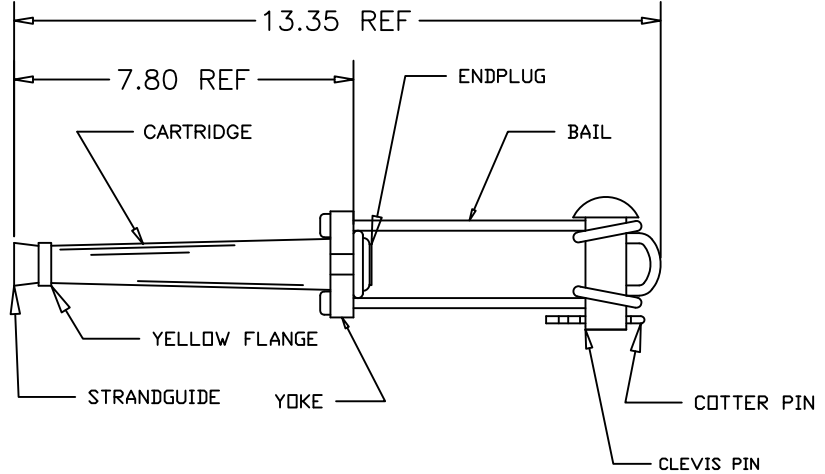


A | B | C | D | E | F

PAPER SIZE	DRAWING NUMBER	
B SIZE	GD-7654AP-SDS	
REV	REVISION DATE	ECD
A	08-28-15	11929

CATALOG NO. 7654AP SDS  
 CONDUCTOR DIAMETER RANGE .365 - .475  
 MATERIAL:

- JAWS - DIE CAST ALUMINUM ALLOY
- TUBING - ALUMINUM ALLOY
- PILOT CUP - PLATED STEEL
- SPRINGS - GALVANIZED STEEL
- STRANDGUIDE - PLASTIC (GRAY)
- INDICATOR SLEEVE - PLASTIC (YELLOW)
- CLEVIS PIN - GALVANIZED STEEL
- YOKE - ALUMINUM
- BAIL - STAINLESS STEEL
- COTTER PIN - STAINLESS STEEL



USE OR REPRODUCTION OF THIS DRAWING FOR THE PURPOSE OF MANUFACTURING THIS ARTICLE OR ARTICLES SHOWN OR ANY OTHER PURPOSE IS STRICTLY PROHIBITED EXCEPT OR WRITTEN PERMISSION.  
 • MACLEAN POWER SYSTEMS •

DRAWING-COMPUTER LOCATION

TOLERANCES UNLESS SPECIFIED	
0.XX	
0.XXX	
ANGLE	

**MACLEAN POWER SYSTEMS**  
 RELIABLE POWER PRODUCTS  
 11411 ADDISON STREET  
 FRANKLIN PARK, IL 60131

DRAWN BY	ENGINEER	CHECKER	CATALOG #	SCALE	DESIGN DATE
JAA		MG	7654AP-SDS		08-28-15
DRAWING TITLE / DESCRIPTION					DRAWING NUMBER
AP SDS DEADEND ASSEMBLY					GD-7654AP-SDS

1  
2  
3  
4