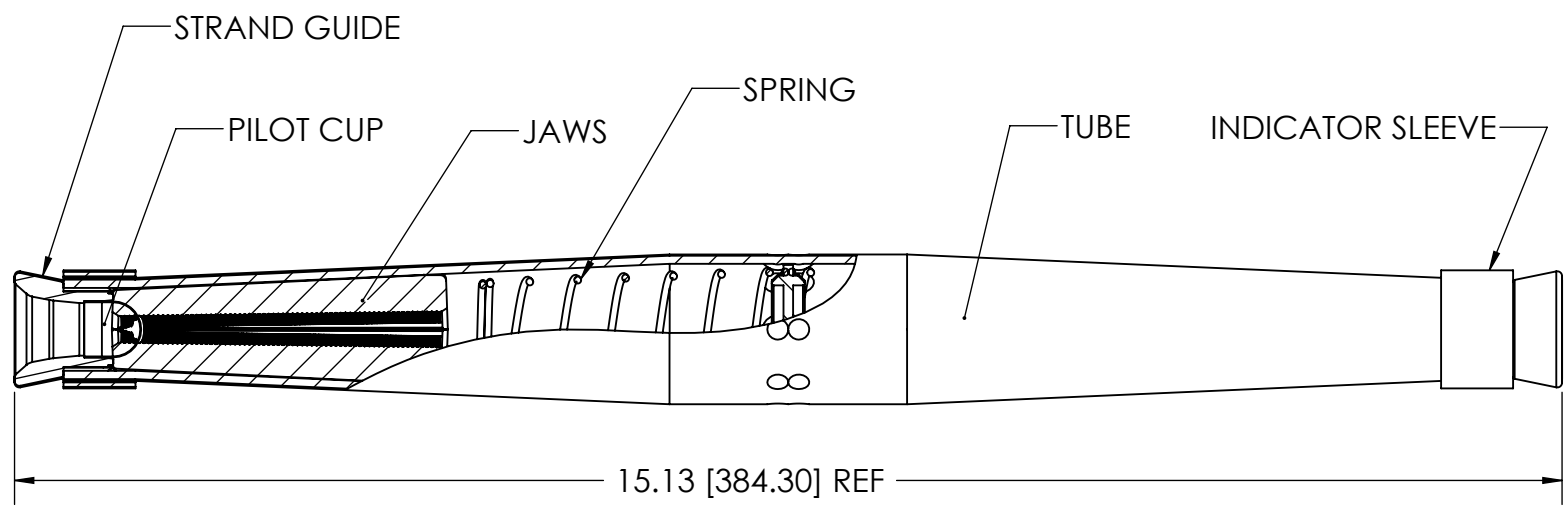
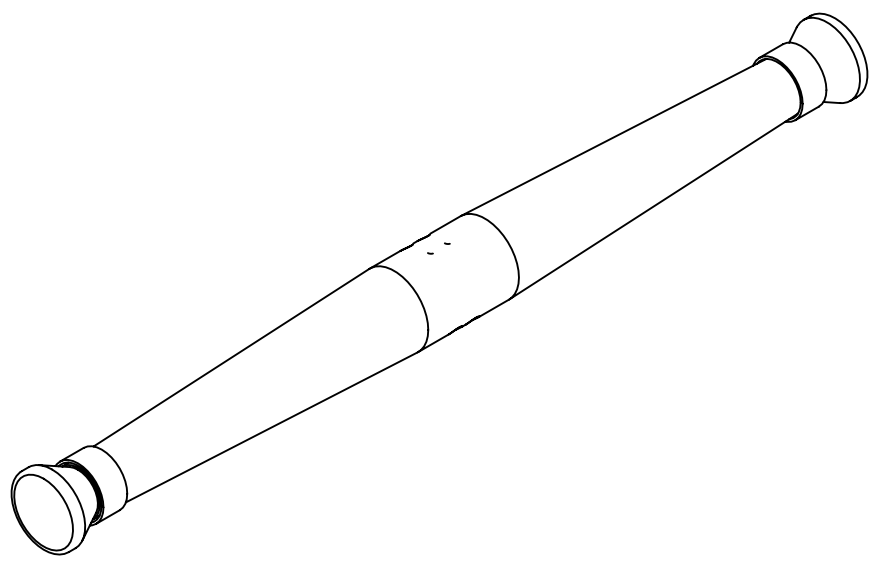
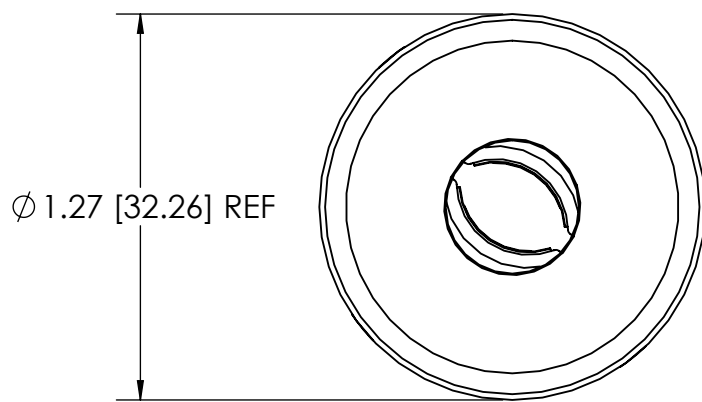


PAPER SIZE		DRAWING NUMBER	
<b>B</b>		<b>GD-7654AP</b>	
REV	REVISED BY	REVISION DATE	ECO #
C	RHJ	04-08-14	11245
D	ZHB	06-30-21	D10235



ITEM #	DESCRIPTION	MATERIAL	QUANTITY
1	TUBE	ALUMINUM ALLOY	1
2	JAWS	DIE CAST ALUMINUM ALLOY	4
3	SPRING	GALVANIZED STEEL	2
4	STRAND GUIDE	PLASTIC (GRAY)	2
5	INDICATOR SLEEVE	PLASTIC (YELLOW)	2
6	PILOT CUP	ALUMINUM	2



WIRE RANGE	
ACSR ASTM-B232	1/0 & 2/0
AAAC ASTM-B399	1/0 & 2/0
AAC ASTM-B231	1/0, 2/0 & 3/0
CONDUCTOR DIAMETER RANGE	.365 - .475

CATALOG #	7654AP
-----------	--------

- Notes:**
1. Connector is rated to hold a minimum of 95% of the RBS of the strand used.
  2. Dimensions are in inches with millimeters noted in brackets.
  3. All dimensions are reference.
  4. Standard pack is 25.
  5. Current Class A (Heavy Duty) and Tension Class 1 (Full Tension) per ANSI C119.4.

This drawing contains confidential information that is the property of MacLean Power, L.L.C. ("MacLean"). Use of MacLean's confidential information without MacLean's express written consent is strictly prohibited and may expose you to legal liability. If you believe that you received this material in error, please destroy it or return it to "MacLean Power, L.L.C., 11411 Addison Street, Franklin Park, Illinois 60131, USA."

UNLESS OTHERWISE SPECIFIED DIMENSIONS ARE IN:	
<b>INCHES</b>	
TOLERANCES ARE:	
.X	+/- 0.1
.XX	+/- 0.03
.XXX	+/- .015
ANGLES	+/- 1.0°

DRAWING NUMBER: <b>GD-7654AP</b>		DO NOT SCALE DRAWING	
SHEET NAME: <b>7654AP</b>		1 OF 1	
DRAWING DESCRIPTION: 7654AP AUTOMATIC ACSR TENSION SPLICE		CAD GENERATED DRAWING DO NOT MANUALLY UPDATE	
DRAWING SCALE: NONE		DESIGN DATE: <b>03-17-14</b>	
DRAWN BY:	ZHB	ENGINEER:	SJL
APPROVED:	MG		