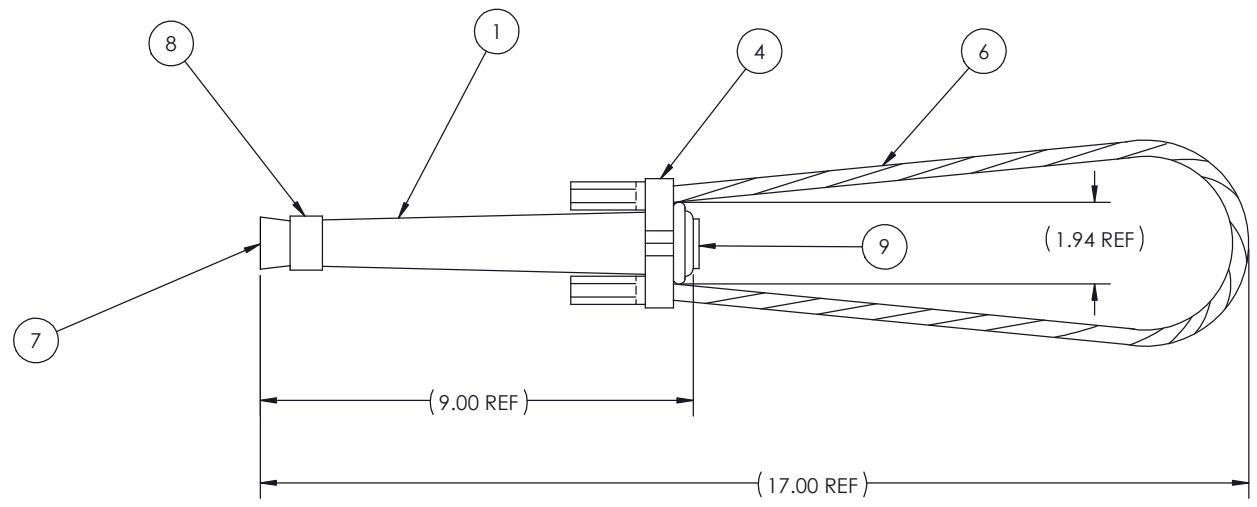


PAPER SIZE		CATALOG NUMBER	
B		7656AP FD	
REV	REVISED BY	REVISION DATE	ECO #
A	CF	04-26-2022	D9044



WIRE RANGE	
ACSR ASTM-B232	3/0 & 4/0
AAAC ASTM-B399	3/0 & 4/0
AAC ASTM-B231	4/0 & 266.8
DIAMETER RANGE	.502 - .592

ITEM #	DESCRIPTION	MATERIAL	QUANTITY
1	TUBE	ALUMINUM ALLOY	1
2	JAW (NOT SHOWN)	DIE CAST ALUMINUM ALLOY	2
3	SPRING (NOT SHOWN)	GALVANIZED STEEL	1
4	YOKE	ALUMINUM	1
5	PILOT CUP (NOT SHOWN)	STEEL	1
6	FD BAIL	GALVANIZED STEEL	1
7	STRANDGUIDE	PLASTIC (PINK)	1
8	INDICATOR SLEEVE	PLASTIC (BLACK)	1
9	END PLUG	PLASTIC (BLUE)	1

Notes:
 All dimensions are in inches.
 All dimensions are reference.
 Standard pack is 20.

This drawing contains confidential information that is the property of MacLean Power, L.L.C. ("MacLean"). Use of MacLean's confidential information without MacLean's express written consent is strictly prohibited and may expose you to legal liability. If you believe that you received this material in error, please destroy it or return it to "MacLean Power, L.L.C., 481 Munn Rd, Suite 300, Fort Mill, SC 29715 USA."



DRAWING NUMBER:		GD-7656AP FD	
SHEET NAME:	Sheet1	1 OF 1	
DRAWING DESCRIPTION:			
CONDUCTRWISE			
DRAWN BY:	CF	DESIGN DATE:	04-26-22