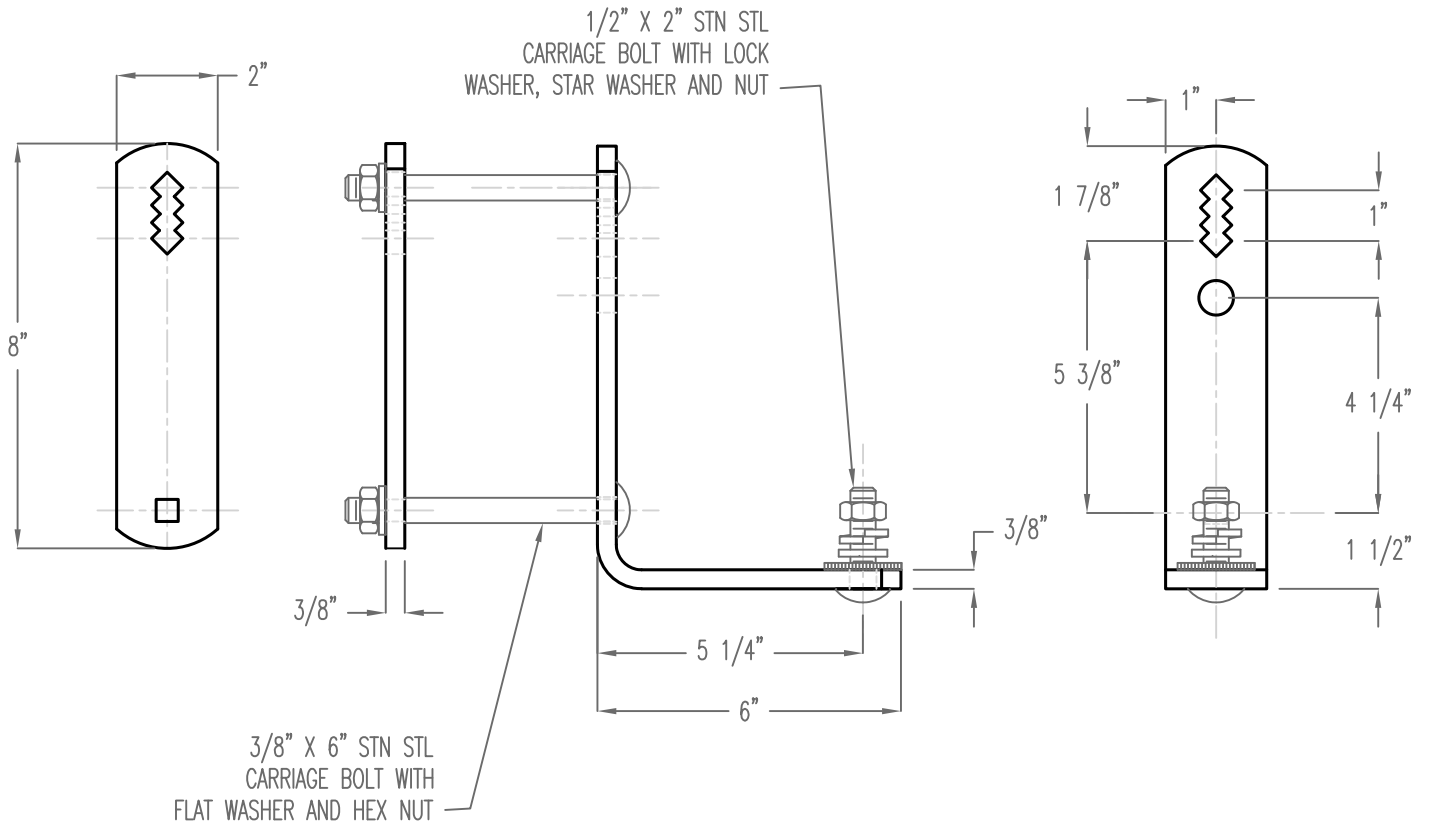


# BILL OF MATERIALS

| QTY./ASSY. | DESCRIPTION                            |
|------------|--|
| 1          | L-BRACKET, 3/8" X 2" 6063-T4 ALUMINUM  |
| 1          | BACK STRAP, 3/8" X 2" 6063-T4 ALUMINUM |
| 1          | 1/2" STN STL LOCK WASHER               |
| 1          | 1/2" X 2" STN STL CARRIAGE BOLT        |
| 1          | 1/2" SILICONE BRONZE HEX NUT           |
| 1          | 1/2" INTERNAL/EXTERNAL LOCK WASHER     |
| 2          | 3/8" X 6" STN STL CARRIAGE BOLT        |
| 2          | 3/8" SILICONE BRONZE HEX NUT           |
| 2          | 3/8" STN STL FLAT WASHER               |



**NOTES:**

1. MATERIAL AS SHOWN IN BILL OF MATERIAL
2. HARDWARE ASSEMBLED AS SHOWN

**PROPRIETARY**

This information is confidential and is the property of Maclean Power Systems. It may not be made public or reproduced except that the customer may make copies for use solely in the installation, maintenance, and operation of products supplied by Maclean Power Systems.



**MacLean Power Systems**

**Continental Electric**

PO Box 835, Trussville, AL 35173  
Phone: (205)655-7400 Fax: (205)655-3530



|               |              |             |
|---------------|--------------|-------------|
| DRAWN BY: JSS | APPROVED BY: | SCALE: NONE |
|               | CHECKED BY:  |             |

CATALOG NO.: AM-26

ALUMINUM CUTOUT/ARRESTER BRACKET

| NO. | DATE       | DESCRIPTION          | BY |
|-----|------------|----------------------|----|
| A   | 04/26/2021 | CREATED CUSTOMER DWG | JM |
|     |            |                      |    |
|     |            |                      |    |

|              |                     |       |     |
|--------------|---------------------|-------|-----|
| DATE: 2-5-01 | DRAWING NO: GD-AM26 | SH: 1 | R/A |
|              |                     | OF: 1 |     |