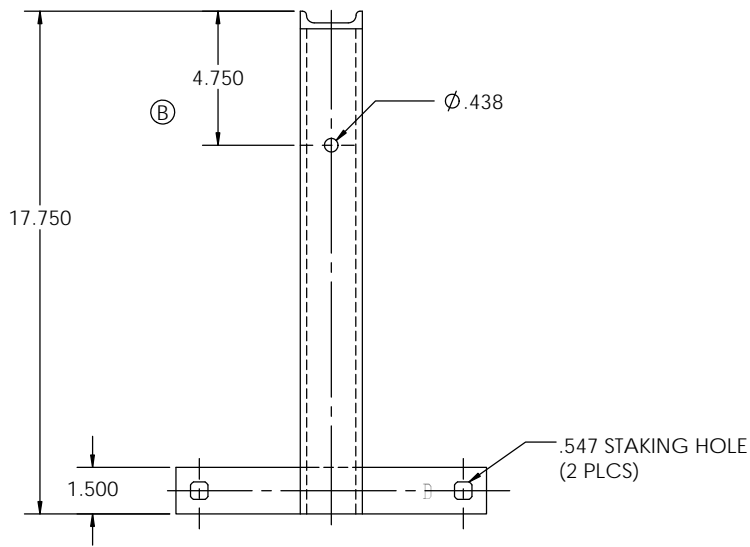
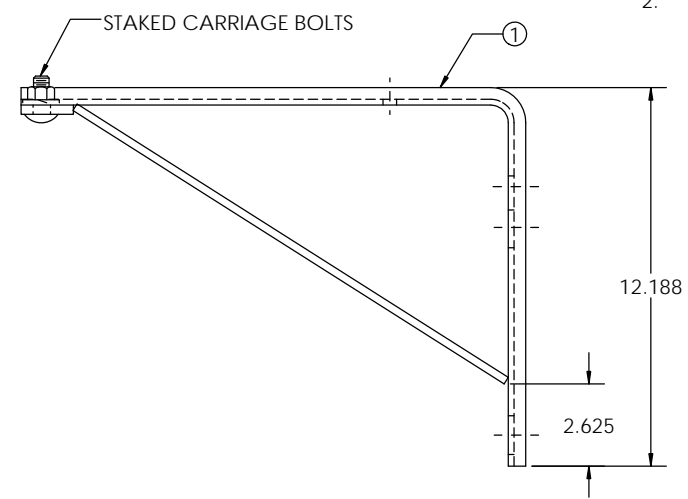
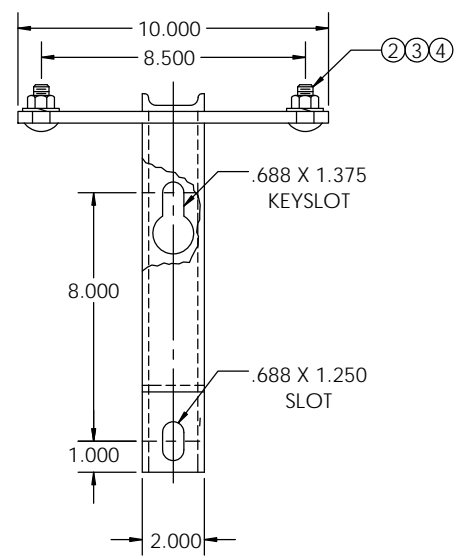


PAPER SIZE		DRAWING NUMBER	
B		GD-D1583	
REV	REVISED BY	REVISION DATE	ECO #
A	JAM	10-01-19	D9044
B	BAB	03-18-20	D9824



ITEM	DESCRIPTION	QTY
1	BRACKET, WELDED	1
2	BOLT, CARRIAGE, 1/2 X 2	2
3	NUT, SQ. 1/2	2
4	WASHER, SPLIT LOCK, 1/2	2

- NOTES:
- ALL DIMENSIONS ARE REFERENCE AND IN INCHES.
 - HOT DIP GALVANIZED PER ASTM A-153.



This drawing contains confidential information that is the property of MacLean Power, L.L.C. ("MacLean"). Use of MacLean's confidential information without MacLean's express written consent is strictly prohibited and may expose you to legal liability. If you believe that you received this material in error, please destroy it or return it to "MacLean Power, L.L.C., 11411 Addison Street, Franklin Park, Illinois 60131, USA."

UNLESS OTHERWISE SPECIFIED	
DIMENSIONS ARE IN:	
INCHES	
TOLERANCES ARE:	
X	
XX	
XXX	
ANGLES	

**MACLEAN
POWER
SYSTEMS**

WWW.MACLEANPOWER.COM

DRAWING NUMBER: GD-D1583		DO NOT SCALE DRAWING	
SHEET NAME: Sheet1		1 OF 1	
DRAWING DESCRIPTION: STANDOFF TEE BKT, 17"		CAD GENERATED DRAWING DO NOT MANUALLY UPDATE	
DRAWING SCALE: NONE		DESIGN DATE: 09/11/01	
DRAWN BY: AR		ENGINEER: SG	
APPROVED:			