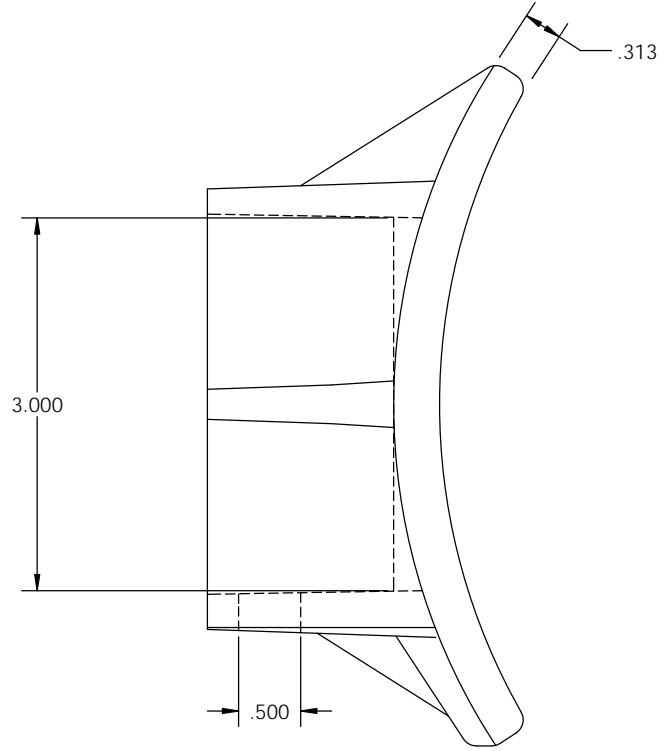
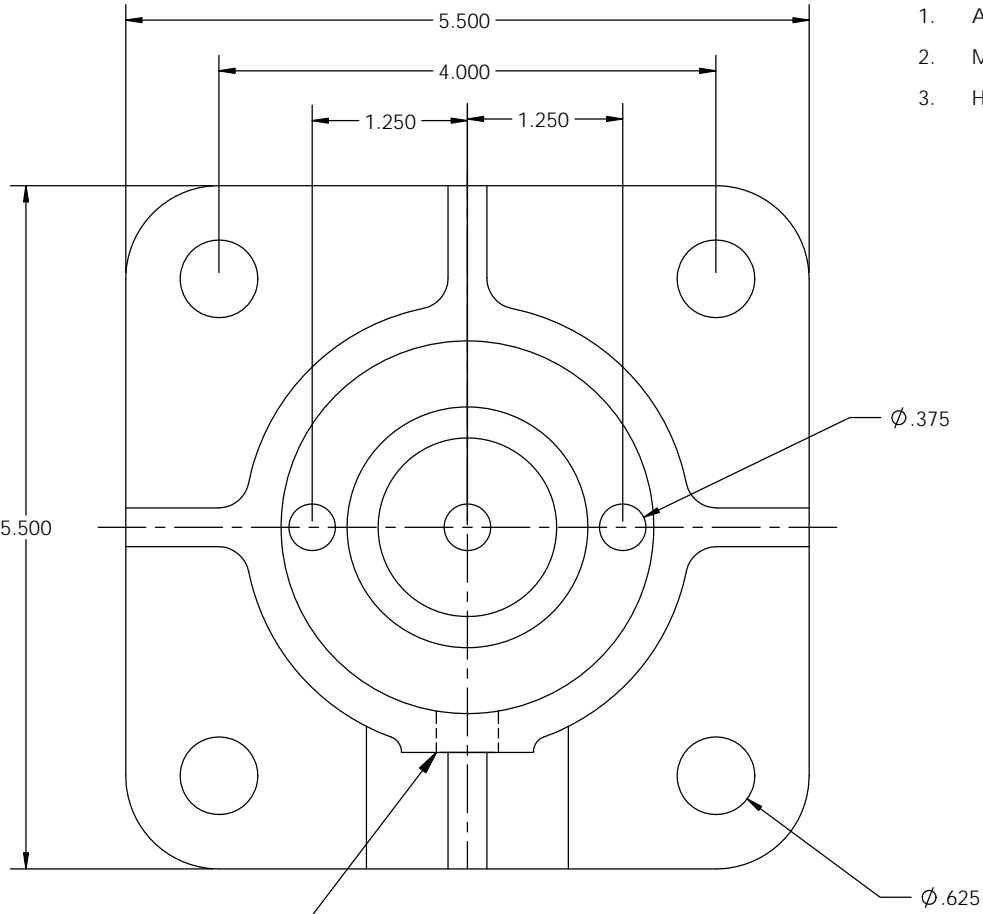


8 7 6 5 4 3 2 1

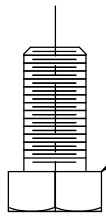
PAPER SIZE		CATALOG NUMBER	
<b>B</b>		<b>GD-J0521</b>	
REV	REVISED BY	REVISION DATE	ECO #
A	JAA	12-08-15	12045

NOTES:

1. ALL DIMENSIONS ARE REFERENCE AND IN INCHES
2. MATERIAL: GALVANISED IRON
3. HARDWARE MATERIAL: GALVANISED STEEL



1/2"-13 TAPPED HOLE



1/2 X 1" HEX HEAD BOLT

This drawing contains confidential information that is the property of MacLean Power, L.L.C. ("MacLean"). Use of MacLean's confidential information without MacLean's express written consent is strictly prohibited and may expose you to legal liability. If you believe that you received this material in error, please destroy it or return it to "MacLean Power, L.L.C., 481 Munn Rd, Suite 300, Fort Mill, SC 29715 USA."

**MACLEAN  
POWER  
SYSTEMS**  
WWW.MACLEANPOWER.COM

DRAWING NUMBER: <b>GD-J0521</b>	
SHEET NAME: <b>Sheet1</b>	1 OF 1
DRAWING DESCRIPTION: SIDEWALK GUY FITTINGS	
DRAWN BY:	DESIGN DATE:

8 7 6 5 4 3 2 1