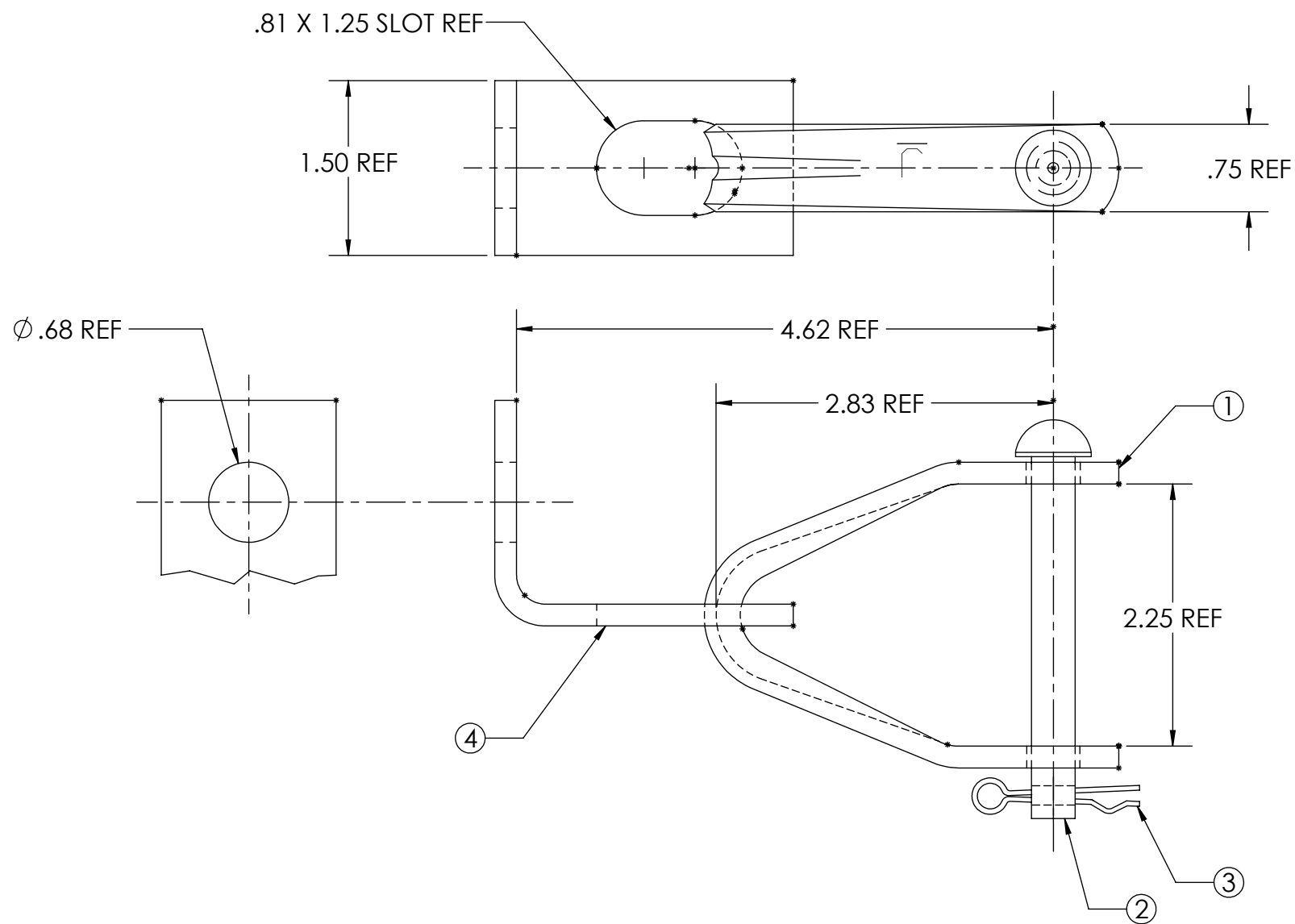


ITEM NO.	QTY.	DESCRIPTION
1	1	.188 SWINGING INSULATOR CLEVIS BODY
2	1	.375 X 3.125 BUTTON HEAD BOLT
3	1	SELF LOCKING COTTER PIN
4	1	.188 SWINGING INSULATOR MTG BRACKET

PAPER SIZE		CATALOG NUMBER	
<b>B</b>		<b>J1626</b>	
REV	REVISED BY	REVISION DATE	ECO #
A	-	9-23-09	9718
B	JAM	12-02-21	D10376



NOTES:

1. ALL DIMENSIONS ARE REFERENCE AND IN INCHES
2. ALL ITEMS HOT DIP GALVANIZED PER ASTM A-153 EXCEPT ITEM 3
3. ITEM 3 IS YELLOW BRASS

This drawing contains confidential information that is the property of MacLean Power, L.L.C. ("MacLean"). Use of MacLean's confidential information without MacLean's express written consent is strictly prohibited and may expose you to legal liability. If you believe that you received this material in error, please destroy it or return it to "MacLean Power, L.L.C., 481 Munn Rd, Suite 300, Fort Mill, SC 29715 USA."



DRAWING NUMBER: <b>GD-J1626</b>	
SHEET NAME: <b>J1626</b>	2 OF 2
DRAWING DESCRIPTION: SWINGING CLEVIS	
DRAWN BY: JAM	DESIGN DATE: