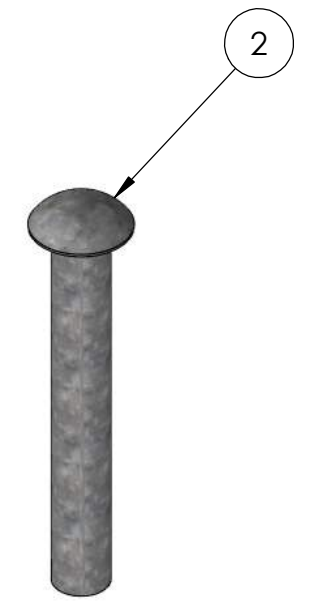
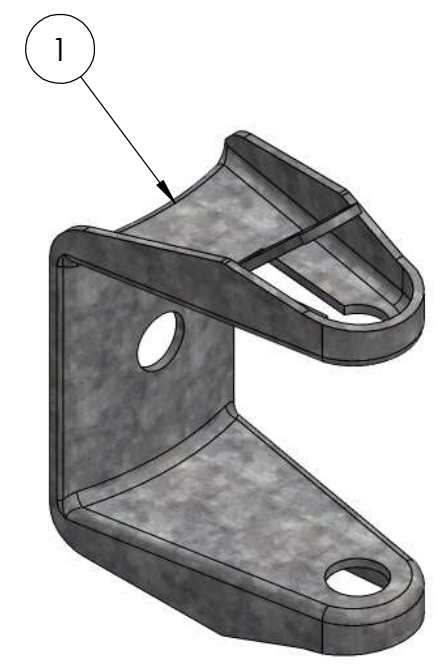
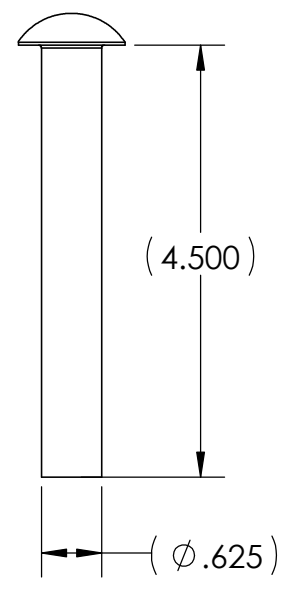
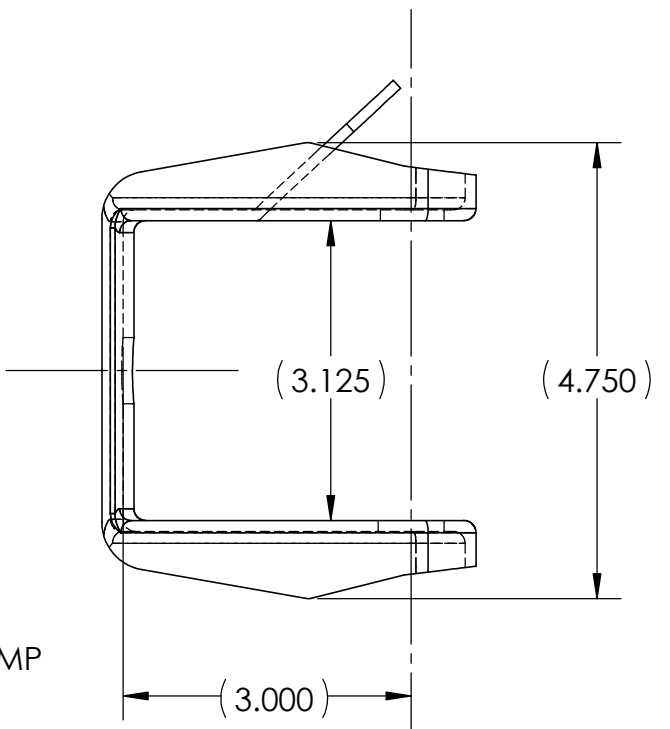
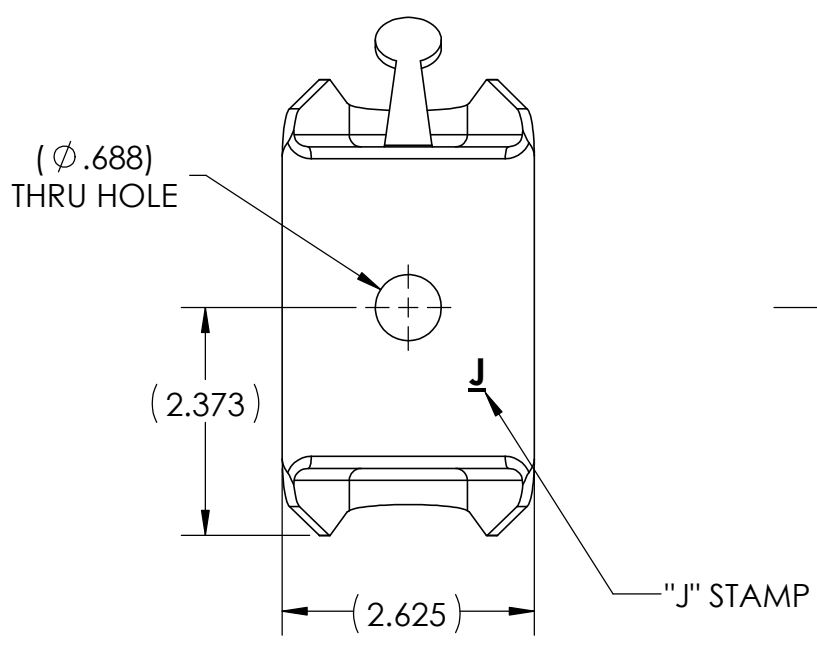
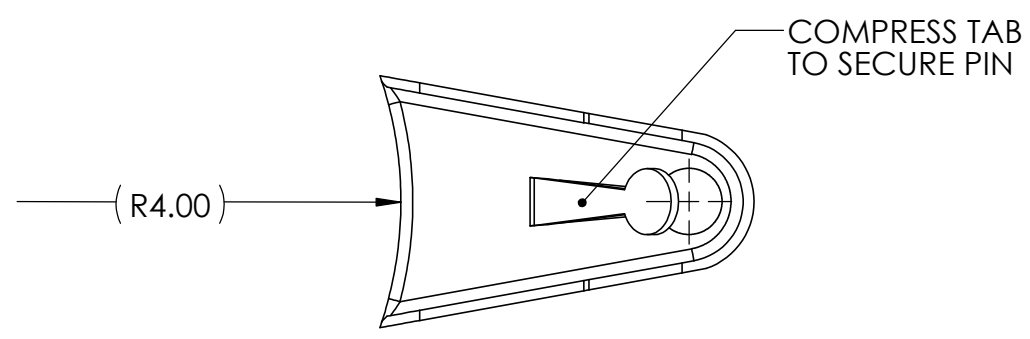


ITEM NO.	DESCRIPTION	QTY.
1	0.12 X 2.75 CLEVIS BODY	1
2	0.625 X 4.50 BUTTON HEAD PIN	1

PAPER SIZE		DRAWING NUMBER		
<b>B</b>		<b>GD-J250</b>		
REVISIONS				
ZONE	REV.	REVISED BY:	REVISION DATE:	ECO #
	A	---	9/23/2009	9718
	B	JAM	2/8/2022	D10376
	C	JRK	4/23/2024	13194



NOTES:

- ALL DIMENSIONS ARE REFERENCE AND IN INCHES.
- MATERIAL: CARBON STEEL, HOT DIP GALVANIZED PER ASTM A-153.

This drawing contains confidential information that is the property of MacLean Power, L.L.C. ("MacLean"). Use of MacLean's confidential information without MacLean's express written consent is strictly prohibited and may expose you to legal liability. If you believe that you received this material in error, please destroy it or return it to "MacLean Power, L.L.C., 11411 Addison Street, Franklin Park, Illinois 60131, USA."

UNLESS OTHERWISE SPECIFIED DIMENSIONS ARE IN:	
<b>INCHES</b>	
TOLERANCES ARE:	
.XX	-----
.XXX	-----
X/XX	-----
ANGLES	-----

DRAWING NUMBER: <b>GD-J250</b>		DO NOT SCALE DRAWING	
SHEET NAME: <b>Sheet1</b>		1 OF 1	
DRAWING DESCRIPTION: CLEVIS W/BUTTON HEAD PIN		CAD GENERATED DRAWING DO NOT MANUALLY UPDATE	
WOOD/STEEL/FIBERGLASS POLE APPLICATION		DESIGN DATE: 4/24/2024	
DRAWN BY:	JRK	ENGINEER:	JRK
APPROVED:	XXX	REVISION:	<b>C</b>
CATALOG NO.: J250		DRAWING SCALE: 1:2	