

PAPER SIZE	DRAWING NUMBER
C SIZE	GD-J25248
REV	REVISION DATE
A	10-8-2018
	ECO
	D9323

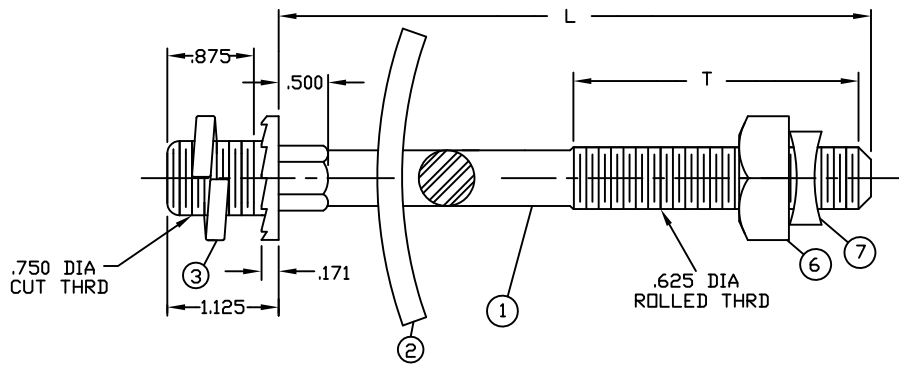


FIGURE A

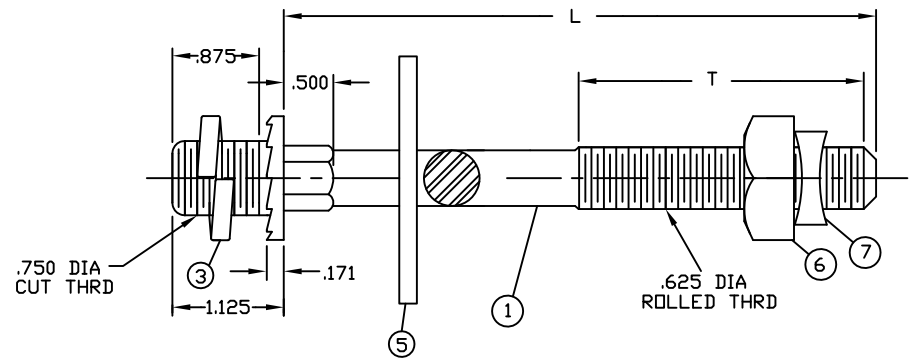


FIGURE B

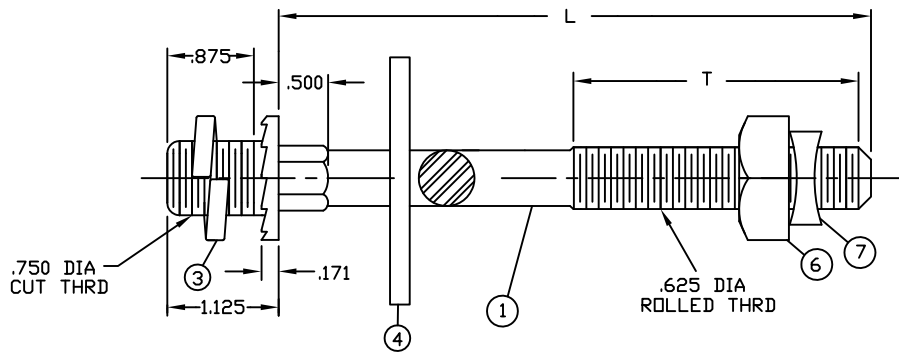


FIGURE C

NOTES:

- 1) ALL DIMENSIONS ARE REFERENCE AND IN INCHES
- 2) COATING: HOT DIP GALVANIZE PER ASTM A-153 (ALL ITEMS)
- 3) — INDICATES THAT PART IS OBSOLETE.

STOCK NO.	L	T	ITEM ①	QTY.	QTY.	QTY.	QTY.	QTY.	QTY.	FIGURE
J25248.1	7.562	6.000	PIN STUD		1		1	1	1	B
J25248.3	10.000	6.000	PIN STUD	1	1			1	1	A
J25248.4	12.000	6.000	PIN STUD	1	1			1	1	A
<del>J25248.5</del>	<del>7.562</del>	<del>4.000</del>	<del>PIN STUD</del>		<del>1</del>	<del>1</del>		<del>1</del>	<del>1</del>	<del>C</del>
<del>J25248.7</del>	<del>7.062</del>	<del>4.000</del>	<del>PIN STUD</del>		<del>1</del>		<del>1</del>	<del>1</del>	<del>1</del>	<del>B</del>
J25248.9	10.062	6.000	PIN STUD	1	1			1	1	C
J25248.10	12.062	6.000	PIN STUD		1	1		1	1	C
J25248.11	14.062	8.000	PIN STUD		1	1		1	1	C
J25248.12	14.062	8.000	PIN STUD	1	1			1	1	A
J25248.25	6.000	4.000	PIN STUD		1		1	1	1	B

- ② J6823 SQ CURVED WASHER
- ③ J140 7/32" SPRING LOCK WASHER
- ④ J1074 2.000" SQ WASHER
- ⑤ J1075 2.250" SQ WASHER
- ⑥ J8563 SQ NUT .625"
- ⑦ J8583 M-T LOCKNUT SQ

This drawing contains confidential information that is the property of Maclean Power, L.L.C. ("Maclean"). Use of Maclean's confidential information without Maclean's express written consent is strictly prohibited and may expose you to legal liability. If you believe that you received this material in error, please destroy it or return it to "Maclean Power, L.L.C., 11411 Ardmore, Franklin Park, Illinois 60131, USA."

DRAWING-COMPUTER LOCATION:  
DRAWING-COMPUTER LOCATION:

TOLERANCES UNLESS SPECIFIED
0.XX
0.XXX
ANGLE



DRAWN BY	ENGINEER	CHECKER	CATALOG #	SCALE	DESIGN DATE
JAM	JAM		J25248		5-12-14
DRAWING TITLE / DESCRIPTION					DRAWING NUMBER
5/8" LINE POST STUD ASSEMBLY					GD-J25248

Form: 00\_0000 / 00-00-00