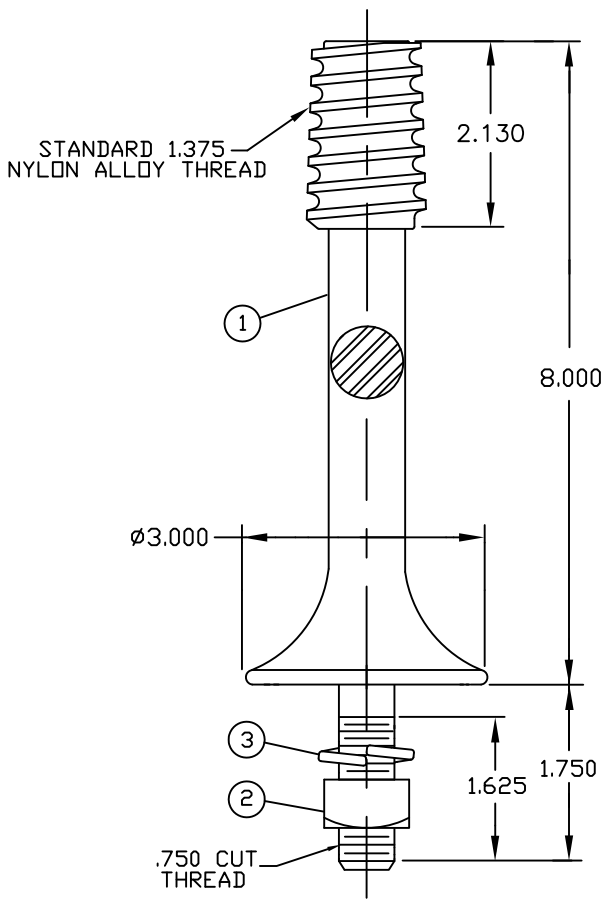


A | B | C | D | E | F

PAPER SIZE	DRAWING NUMBER	
B SIZE	GD-J631Z	
REV	REVISION DATE	ECO
A	08-27-08	9222



**NOTES:**  
 1. ALL DIMENSIONS ARE REFERENCE AND IN INCHES EXCEPT AS NOTED.  
 2. ALL ITEMS GALVANIZED EXCEPT 1.375 THREAD.

ITEM	QTY	DESCRIPTION
1	1	.750 DIA STEEL PIN BODY
2	1	.750 REGULAR SQUARE NUT
3	1	.750 SPRING LOCKWASHER

This drawing contains confidential information that is the property of MacLean Power, L.L.C. ("MacLean"). Use of MacLean's confidential information without MacLean's express written consent is strictly prohibited and may expose you to legal liability. If you believe that you received this material in error, please destroy it or return it to "MacLean Power, L.L.C., 11411 Addison, Franklin Park, Illinois 60131, USA."

DRAWING-COMPUTER LOCATION  
 DRAWING-COMPUTER LOCATION:

TOLERANCES UNLESS SPECIFIED	
	inch
0.XX	— — — —
0.XXX	— — — —
ANGLE	— — — —



DRAWN BY	ENGINEER	CHECKER	CATALOG #	SCALE	DESIGN DATE
RRL	RRL	FJS	J631Z	NTS	08-27-08
DRAWING TITLE / DESCRIPTION					DRAWING NUMBER
PIN X ARM W/NA THD					GD-J631Z