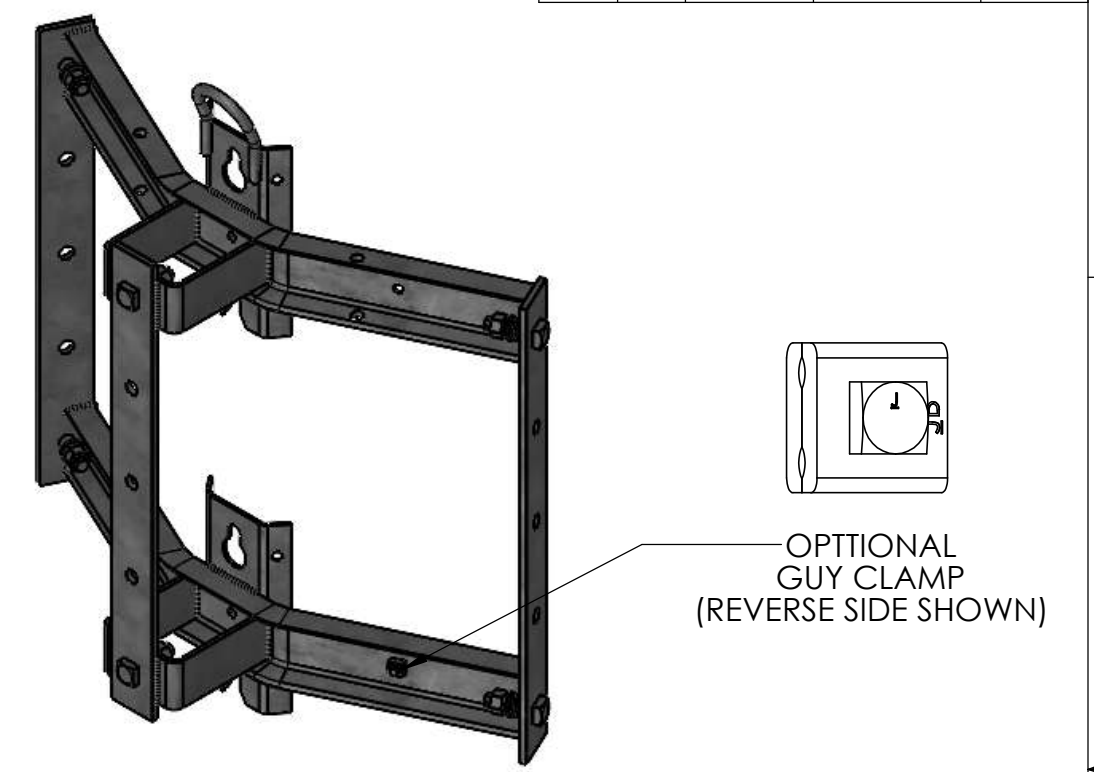
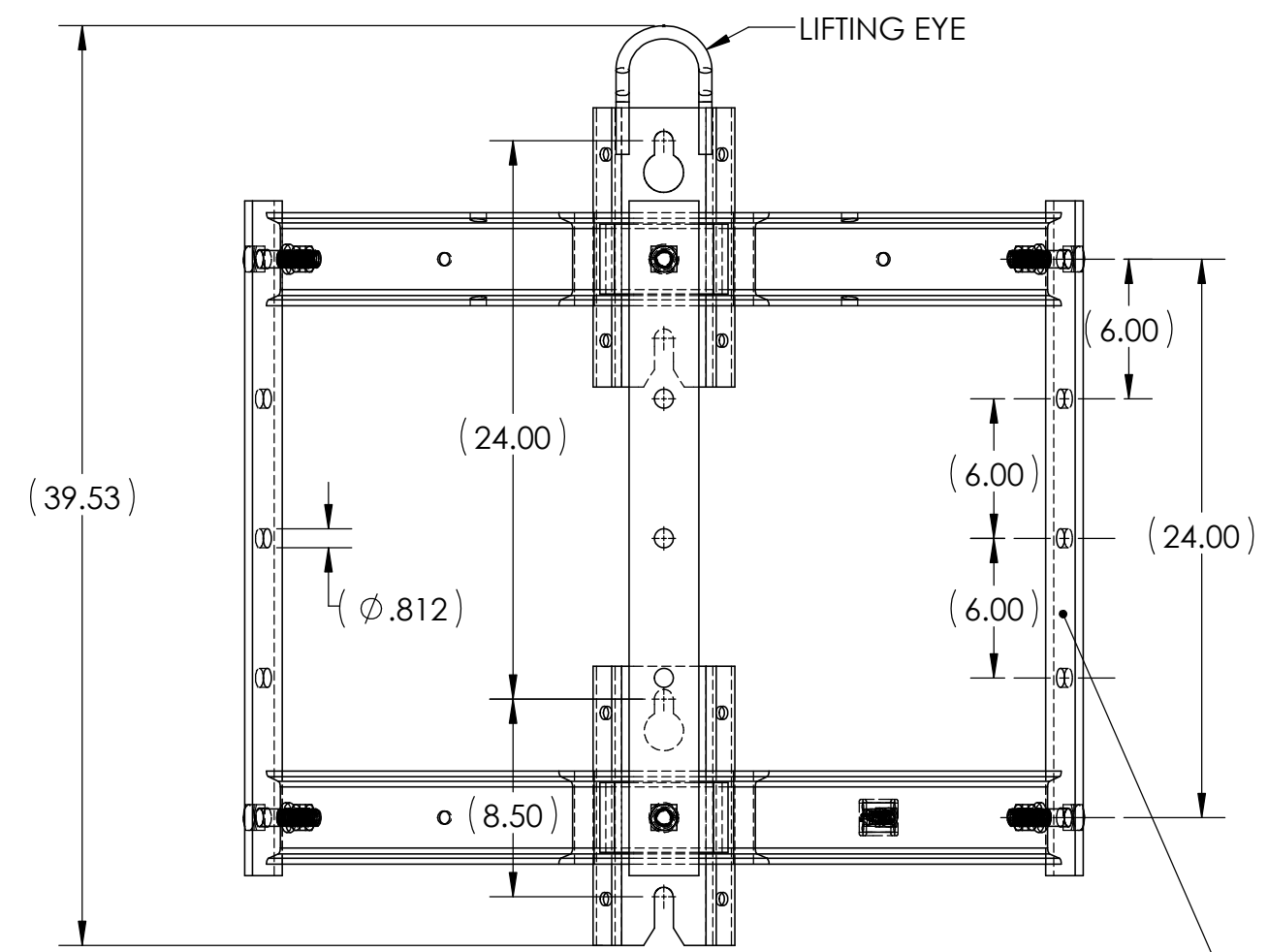
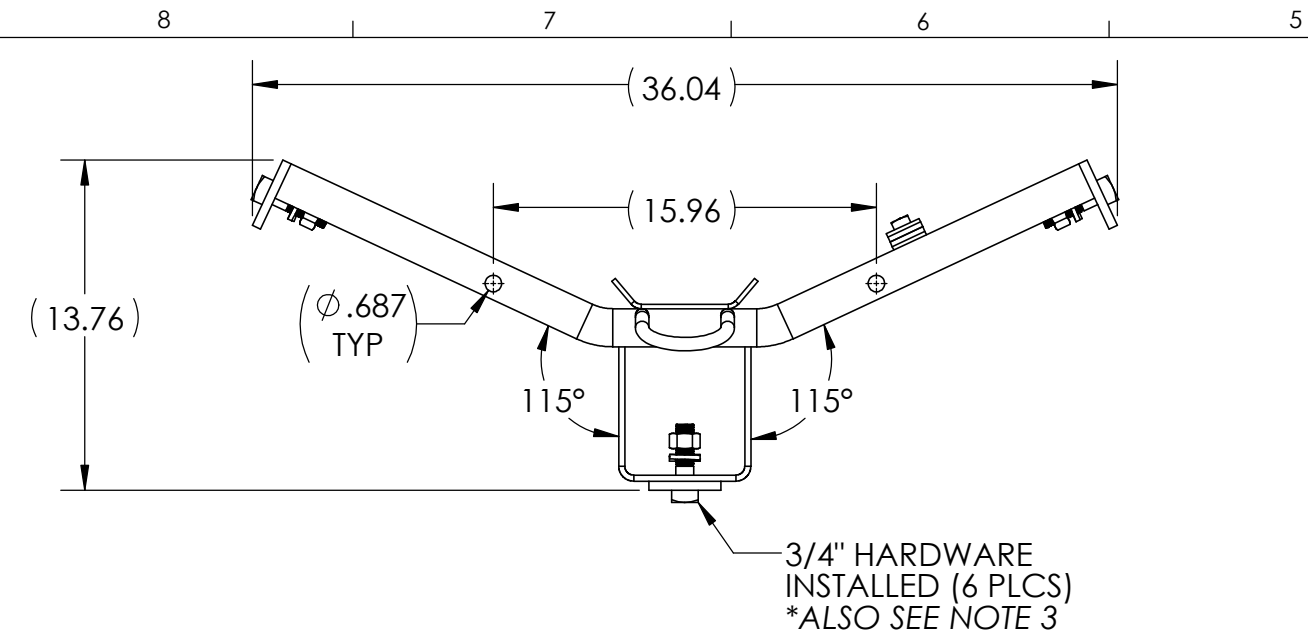


CATALOG NO.	PART NO.	GUY CLAMP
J6866	F394340	NOT INCLUDED
J6866G	F105860	INCLUDED

PAPER SIZE		DRAWING NUMBER		
B		GD-J6866		
REVISIONS				
ZONE	REV.	REVISED BY:	REVISION DATE:	ECO #
	A	JRK	3/20/2025	13349



NOTES:

1. MATERIAL: ALLOY STEEL.
2. ALL ITEMS ARE HOT DIPPED GALVANIZED PER **ASTM A153**.
- *3. EACH ASSEMBLY INCLUDES A 5/8 HARDWARE KIT. EACH KIT INCLUDES (6) 5/8 BOLTS, (6) FLAT WASHERS, (6) LOCK WASHERS, & (6) HEX NUTS.
4. OPTIONAL GUY CLAMP AVAILABLE.
5. EACH MOUNTING PHASE RATED TO SUPPORT A 7000 LB LOAD.
6. ALL DIMENSIONS ARE REFERENCE AND IN INCHES.

This drawing contains confidential information that is the property of MacLean Power, L.L.C. ("MacLean"). Use of MacLean's confidential information without MacLean's express written consent is strictly prohibited and may expose you to legal liability. If you believe that you received this material in error, please destroy it or return it to "MacLean Power, L.L.C., 11411 Addison Street, Franklin Park, Illinois 60131, USA."

UNLESS OTHERWISE SPECIFIED DIMENSIONS ARE IN:	
INCHES	
TOLERANCES ARE:	
.XX	-----
.XXX	-----
X/XX	-----
ANGLES	-----

MacLean
POWER SYSTEMS
WWW.MACLEANPOWER.COM

DRAWING NUMBER: GD-J6866		DO NOT SCALE DRAWING	
SHEET NAME: Sheet1		1 OF 1	
DRAWING DESCRIPTION: TRANSFORMER CLUSTER MOUNT ASSEMBLY			
CATALOG NO.: J6866/J6866G		DESIGN DATE: 3/21/2025	
DRAWING SCALE: 1:8		DRAWN BY: JRK	
		ENGINEER: JRK	
		APPROVED: XXX	
		REVISION: A	