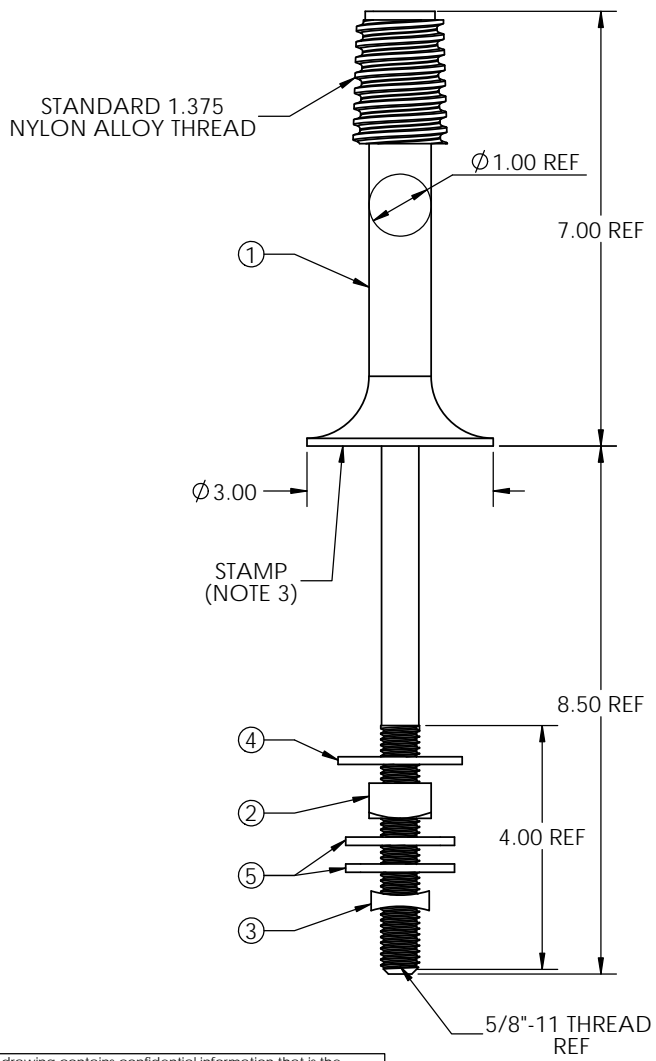


PAPER SIZE		CATALOG NUMBER	
<b>B</b>		<b>GD-JP47385Z</b>	
REV	REVISED BY	REVISION DATE	ECO #
A	JAM	02-27-2019	D9462



ITEM NO.	DESCRIPTION	QTY.
1	STEEL PIN BODY WITH NYLON THREAD	1
2	5/8" SQUARE NUT	1
3	5/8" MF LOCKNUT	1
4	2" X .125" SQUARE WASHER	1
5	1.75 DIA WASHER	2

MATERIAL:  
 THREAD: NYLON ALLOY  
 PIN: GALVANIZED STEEL  
 HARDWARE: GALVANIZED STEEL

- NOTES:
- ALL DIMENSIONS ARE REFERENCE AND IN INCHES
  - ALL ITEMS GALVANIZED PER ASTM A-153 EXCEPT NYLON THREAD
  - MANUFACTURER'S IDENTIFICATION MARK ("J" STAMP) AND YEAR OF MANUFACTURE (EXAMPLE "12") IN LOCATION SHOWN.

This drawing contains confidential information that is the property of MacLean Power, L.L.C. ("MacLean"). Use of MacLean's confidential information without MacLean's express written consent is strictly prohibited and may expose you to legal liability. If you believe that you received this material in error, please destroy it or return it to "MacLean Power, L.L.C., 481 Munn Rd, Suite 300, Fort Mill, SC 29715 USA."

**MACLEAN  
POWER  
SYSTEMS**

WWW.MACLEANPOWER.COM

DRAWING NUMBER: <b>GD-JP47385Z</b>	
SHEET NAME: Sheet1	1 OF 1
DRAWING DESCRIPTION: CROSSARM PIN WITH 1.375 NYLON THREADS	
DRAWN BY: JAM	DESIGN DATE: