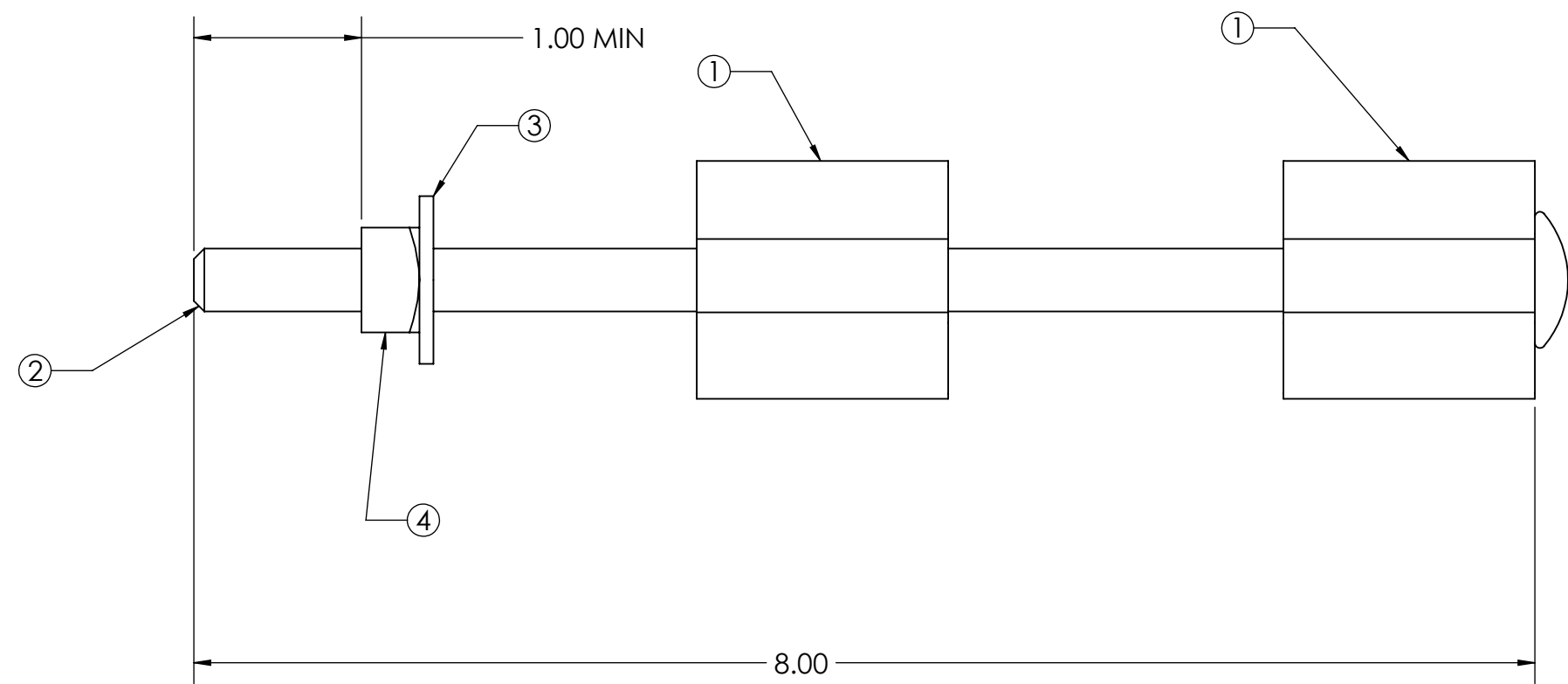
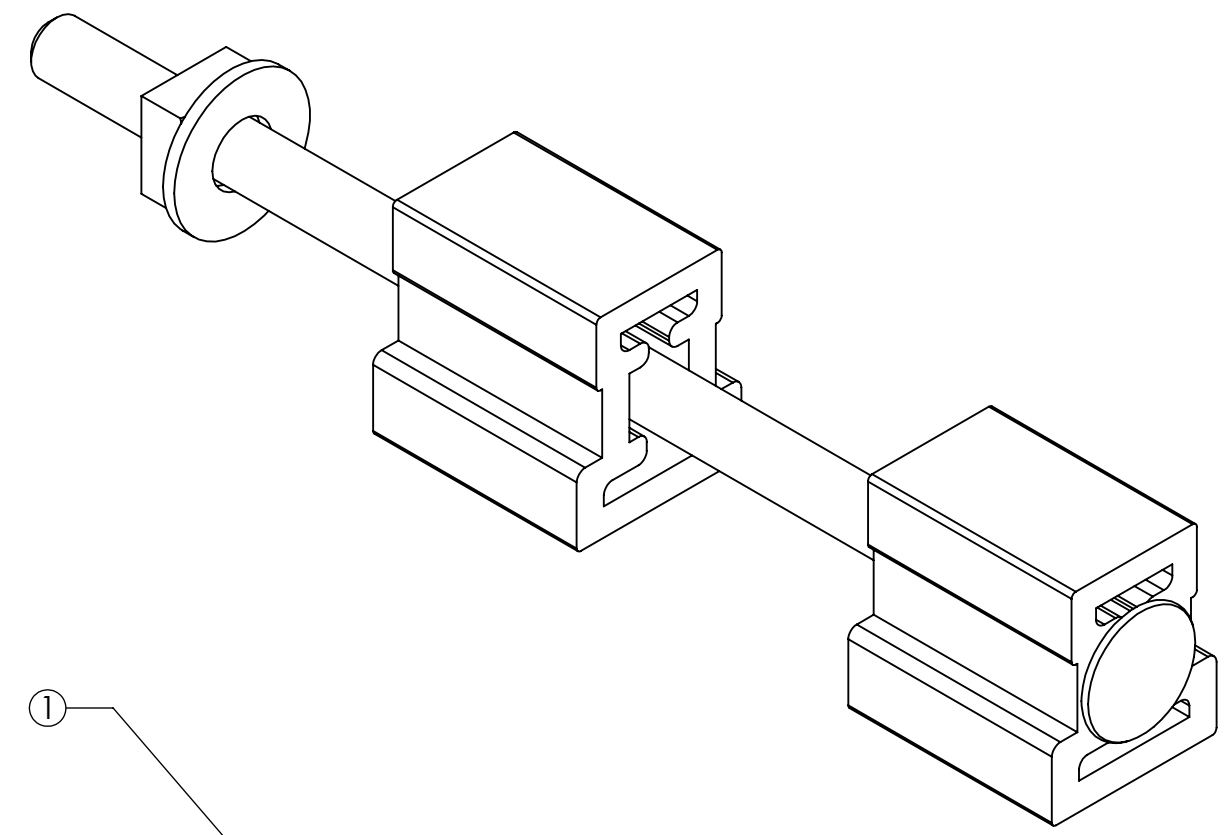


| ITEM NO. | DESCRIPTION | MATERIAL | QTY. |
|----------|-------------------------|-------------------------|------|
| 1 | 3/4 AND 1/2 BUCKLE | ALLUMINUM ALLOY 6061-T6 | 2 |
| 2 | 3/8 X 8 CARRIAGE BOLT | GALV STEEL | 1 |
| 3 | 3/8 FLAT WASHER | GALV. STEEL | 1 |
| 4 | 3/8-16 GALV. SQUARE NUT | GALV STEEL | 1 |

| | | | |
|------------|------------|-------------------|-------|
| PAPER SIZE | | CATALOG NUMBER | |
| B | | GD-MBAB-38 | |
| REV | REVISED BY | REVISION DATE | ECO # |
| A | BTS | 10-21-2014 | 11538 |
| B | JAM | 05-14-15 | 11803 |



NOTES

- USE WITH 1/2" AND 3/4" STAINLESS STEEL BANDING.
- STANDARD PACK 24

CATALOG NO.
MBAB-38

DRAWING NUMBER:
GD-MBAB-38

SHEET NAME: **Sheet1** 1 OF 1

DRAWING DESCRIPTION:
3/4 AND 1/2 BUCKLES ASSEMBLY

DRAWN BY: BTS DESIGN DATE: **07-07-14**

This drawing contains confidential information that is the property of MacLean Power, L.L.C. ("MacLean"). Use of MacLean's confidential information without MacLean's express written consent is strictly prohibited and may expose you to legal liability. If you believe that you received this material in error, please destroy it or return it to "MacLean Power, L.L.C., 481 Munn Rd, Suite 300, Fort Mill, SC 29715 USA."

**MACLEAN
POWER
SYSTEMS**
WWW.MACLEANPOWER.COM