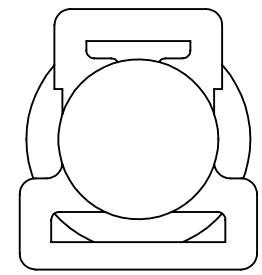
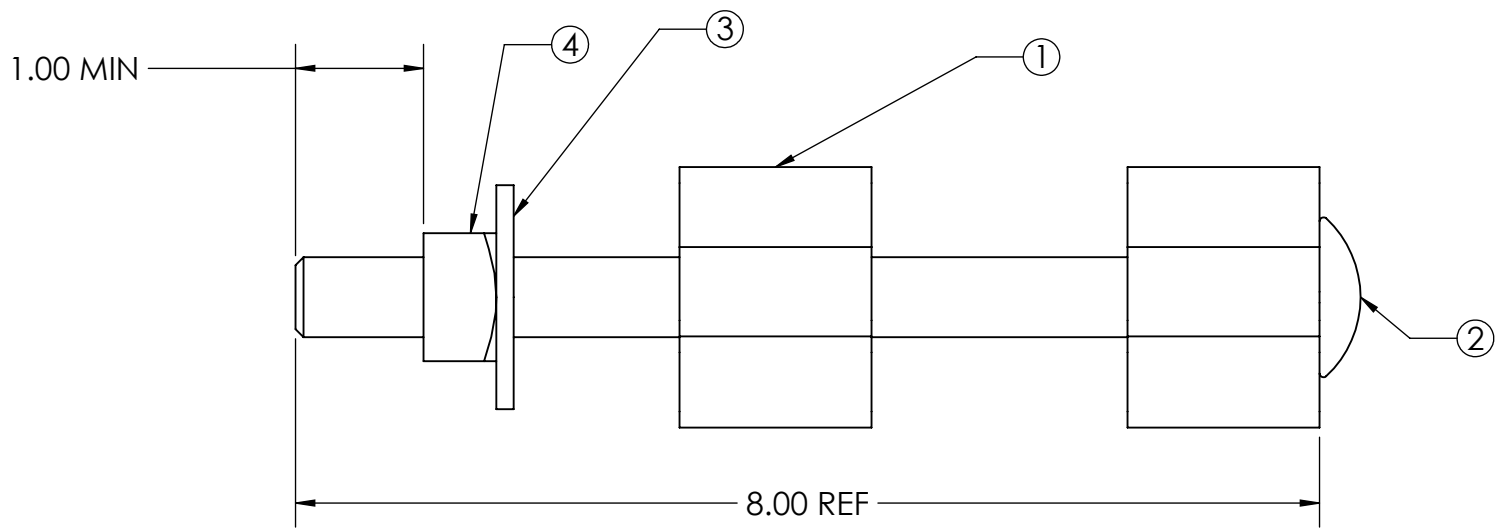
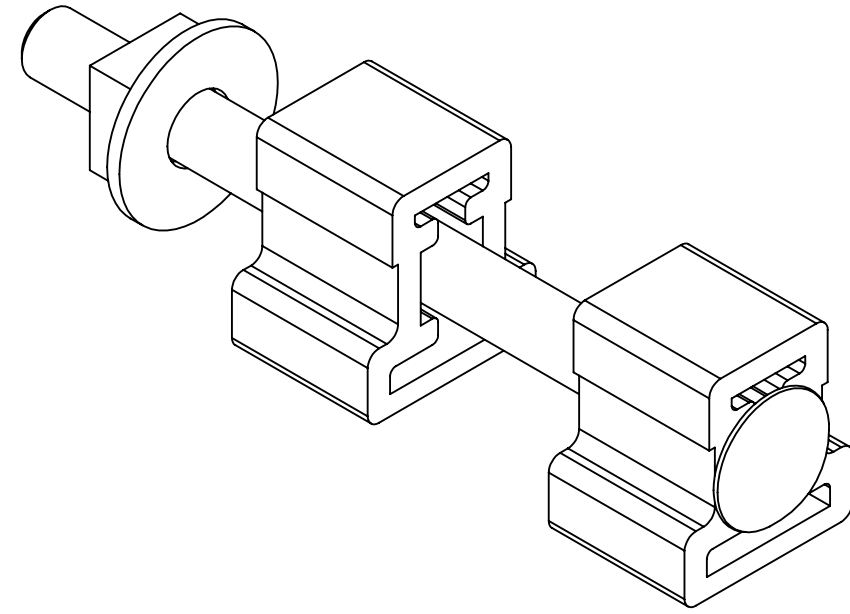


ITEM NO.	DESCRIPTION	MATERIAL	QTY.
1	1 1/4 AND 3/4 BUCKLE	ALUMINUM ALLOY 6061-T6	2
2	5/8 X 8 CARRIAGE BOLT	GALV STEEL	1
3	5/8 IN FLAT WASHER	GALV. STEEL	1
4	5/8 SQUARE NUT	GALV. STEEL	1

ⓑ

PAPER SIZE		CATALOG NUMBER	
<b>B</b>		<b>GD-MBAB-58</b>	
REV	REVISED BY	REVISION DATE	ECO #
A	BTS	10-21-2014	11538
B	JAM	05-14-2015	11803



- NOTES
- USE WITH 3/4" AND 1 1/4" STAINLESS STEEL BANDING.
  - STANDARD PACK 24

CATALOG NO.  
MBAB-58

DRAWING NUMBER:  
**GD-MBAB-58**

SHEET NAME: **Sheet1** 1 OF 1

DRAWING DESCRIPTION:  
1 1/4 AND 3/4 BUCKLES ASSEMBLY

DRAWN BY: BTS DESIGN DATE: 07-07-14

This drawing contains confidential information that is the property of MacLean Power, L.L.C. ("MacLean"). Use of MacLean's confidential information without MacLean's express written consent is strictly prohibited and may expose you to legal liability. If you believe that you received this material in error, please destroy it or return it to "MacLean Power, L.L.C., 481 Munn Rd, Suite 300, Fort Mill, SC 29715 USA."

**MACLEAN POWER SYSTEMS**  
WWW.MACLEANPOWER.COM