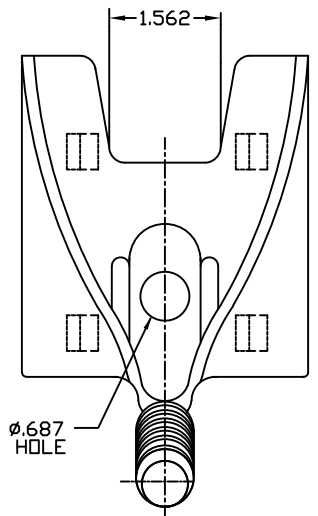
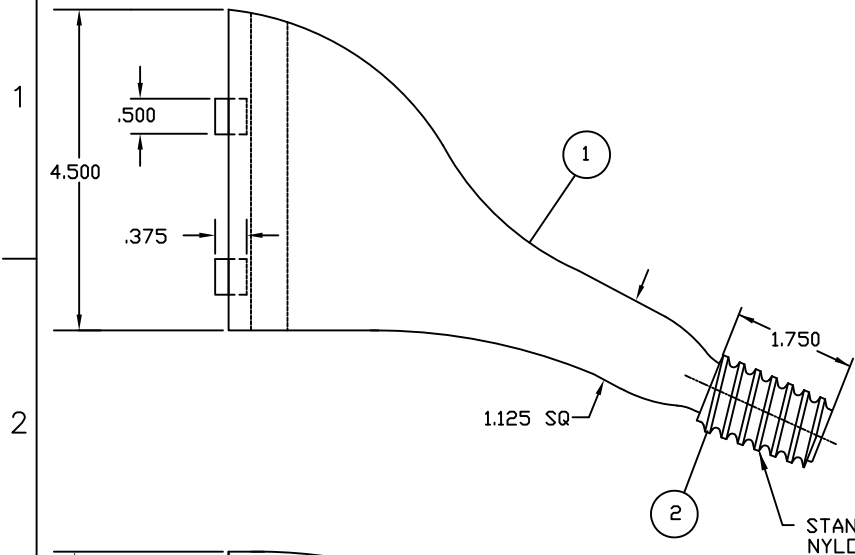


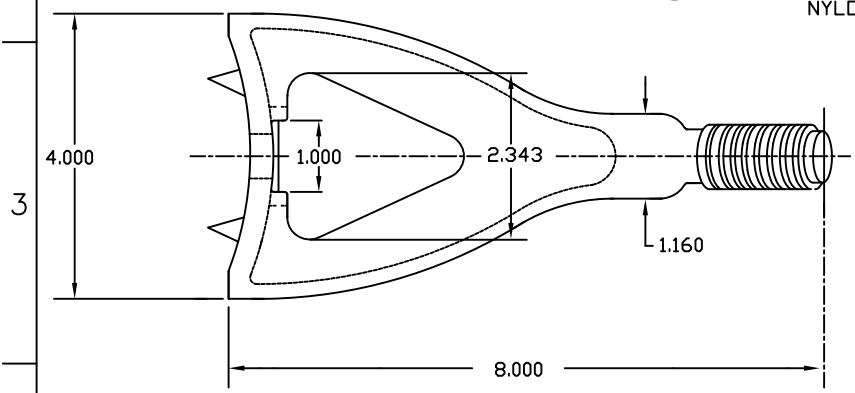
A | B | C | D | E | F

PAPER SIZE		DRAWING NUMBER	
B SIZE		GD-P402XZ	
REV	REVISION DATE	ECO	
A	07-28-20	XX	



MATERIAL:
 THREAD: NYLON ALLOY
 BODY: DUCTILE IRON

- NOTES:**
1. ALL DIMENSIONS ARE REFERENCE AND IN INCHES EXCEPT AS NOTED.
 2. ALL ITEMS GALVANIZED PER ASTM A153 EXCEPT 1.000 THREAD.



ITEM	DESCRIPTION
1	ANGLE PIN BODY DETAIL
2	1.000 NYLON ALLOY THREAD

This drawing contains confidential information that is the property of MacLean Power, L.L.C. ("MacLean"). Use of MacLean's confidential information without MacLean's express written consent is strictly prohibited and may expose you to legal liability. If you believe that you received this material in error, please destroy it or return it to "MacLean Power, L.L.C., 11411 Addison, Franklin Park, Illinois 60131, USA."

DRAWING-COMPUTER LOCATION:
 DRAWING-COMPUTER LOCATION:

TOLERANCES UNLESS SPECIFIED	inch
0.XX	— — —
0.XXX	— — —
ANGLE	— — —



DRAWN BY	ENGINEER	CHECKER	CATALOG #	SCALE	DESIGN DATE
RRL	RRL	FJS	P402XZ	NTS	07-28-20
DRAWING TITLE / DESCRIPTION					DRAWING NUMBER
PIN X ARM W/NA THD					GD-P402XZ